

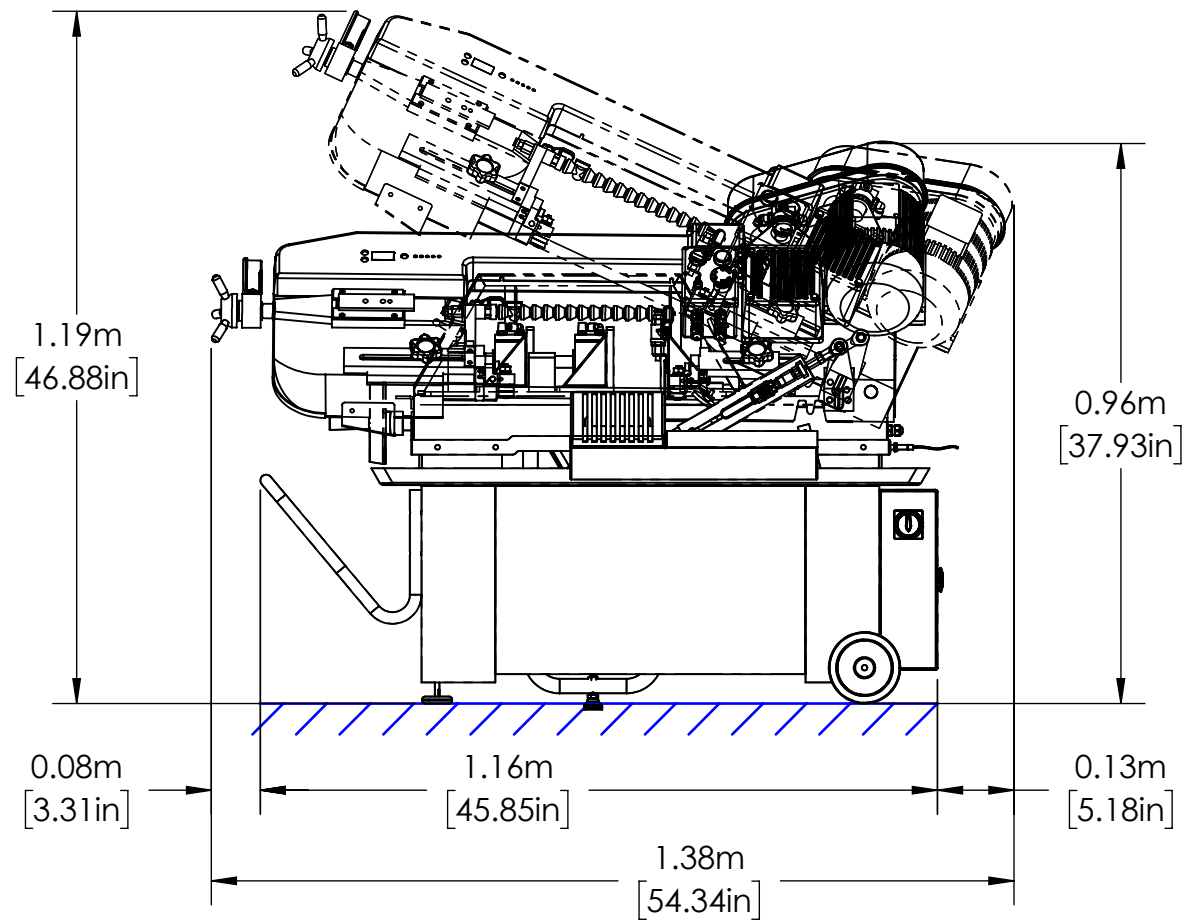
FOR REFERENCE ONLY

D

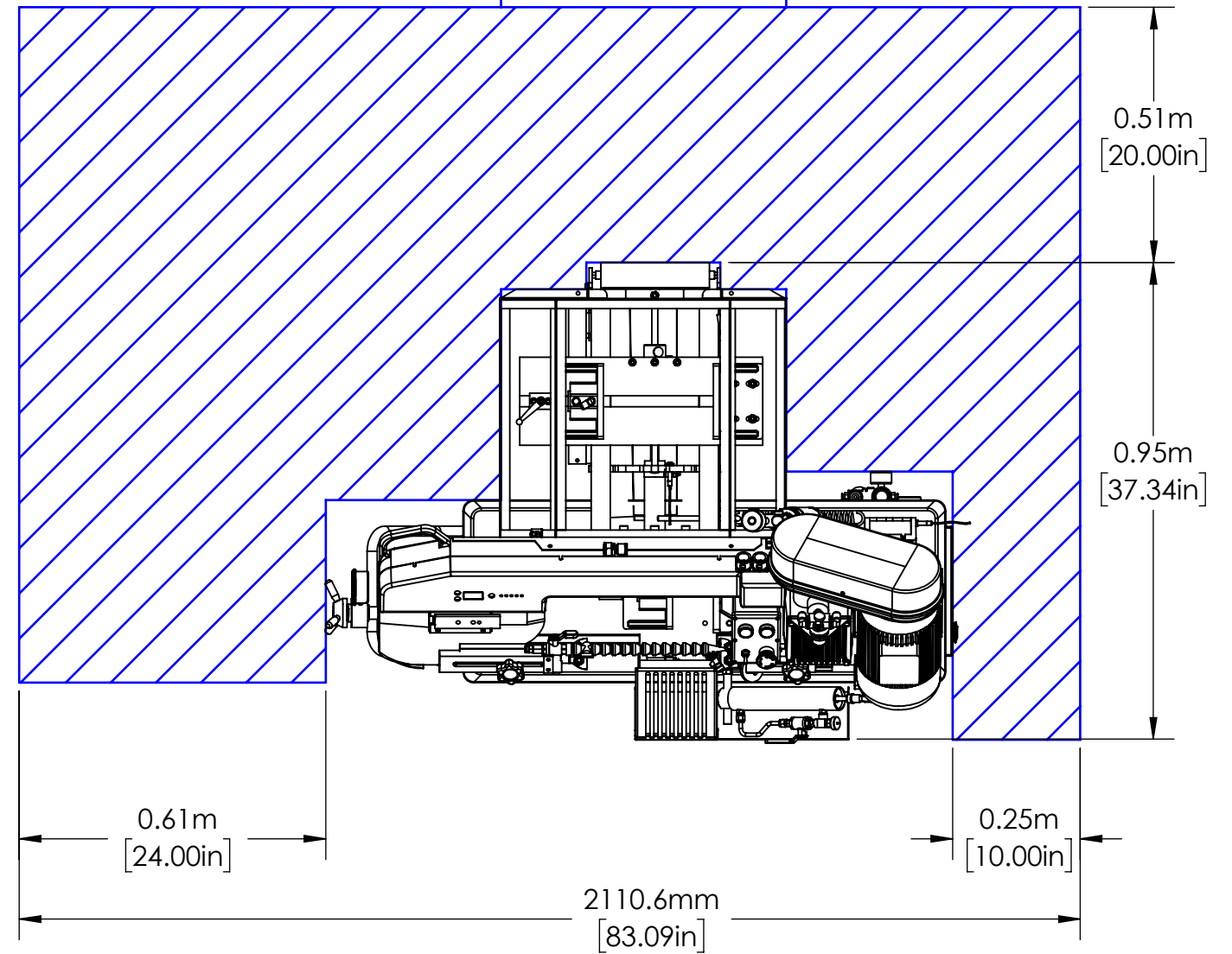
C

B

A



Plus additional space
for max bar length.



D

C

B

A

REV.	DESCRIPTION	DATE
A	INITIAL RELEASE OF DRAWING	2021-01-18
	REVISIONS	



1071 UNIEK DR
WAUNAKEE, WI 53597
(608) 849-8381

THIS DRAWING CONTAINS PROPRIETARY AND CONFIDENTIAL INFORMATION BELONGING TO TORMACH INC. THIS DRAWING MAY NOT BE REPRODUCED OR COPIED IN WHOLE OR IN PART NOR CAN THE INFORMATION CONTAINED BE USED FOR ANY PURPOSE WITHOUT THE EXPRESS WRITTEN PERMISSION OF TORMACH INC

DRAWN BY: RRH
DATE: 18 JAN 21

DO NOT SCALE DRAWING

TITLE:
AF50 MACHINE FOOTPRINT

SIZE: **B** DWG. NO.: **38000** REV: **A**

SCALE: 1:13 SHEET 1 OF 1

8 7 6 5 4 3 2 1

8 7 6 5 4 3 2 1