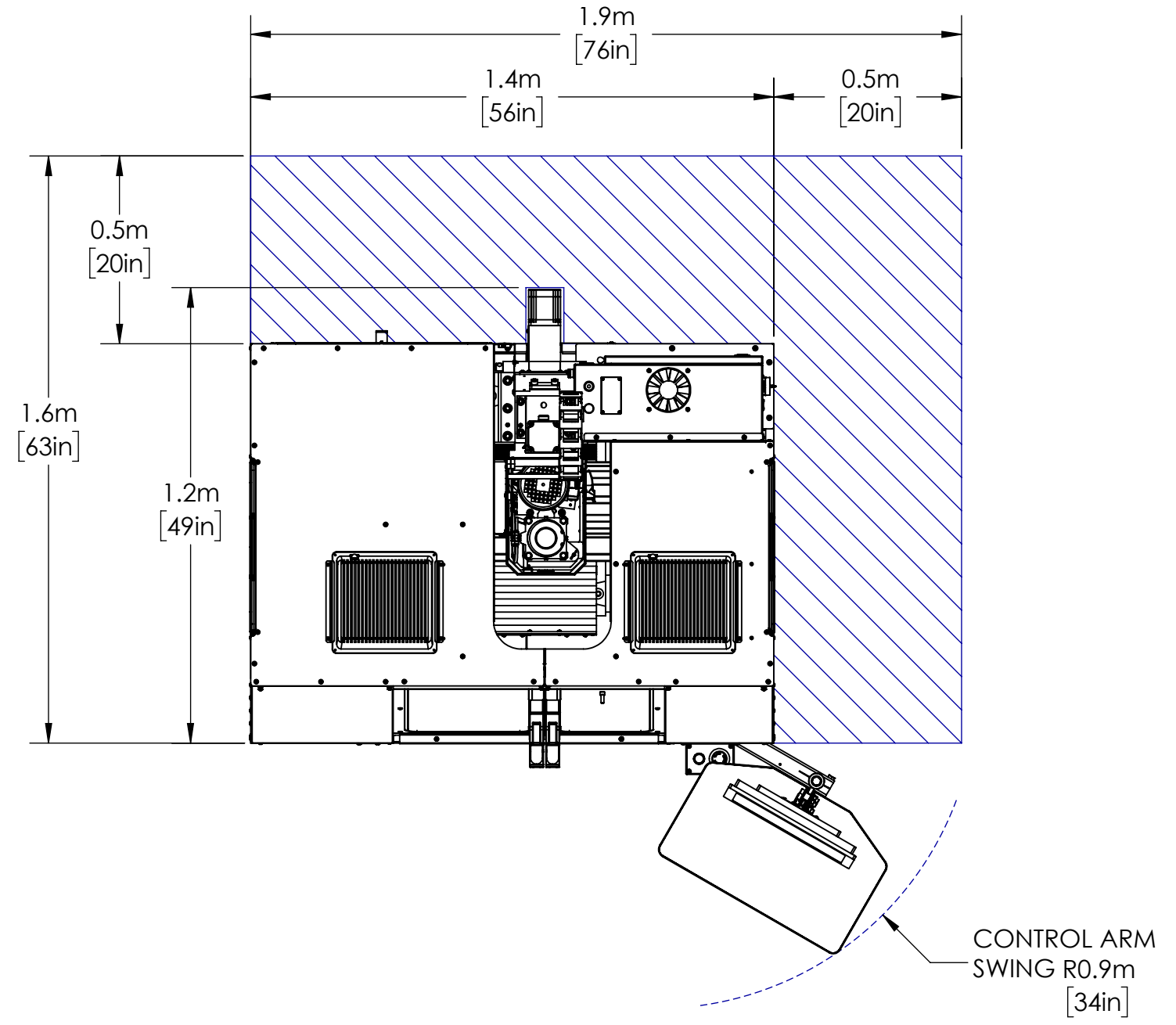
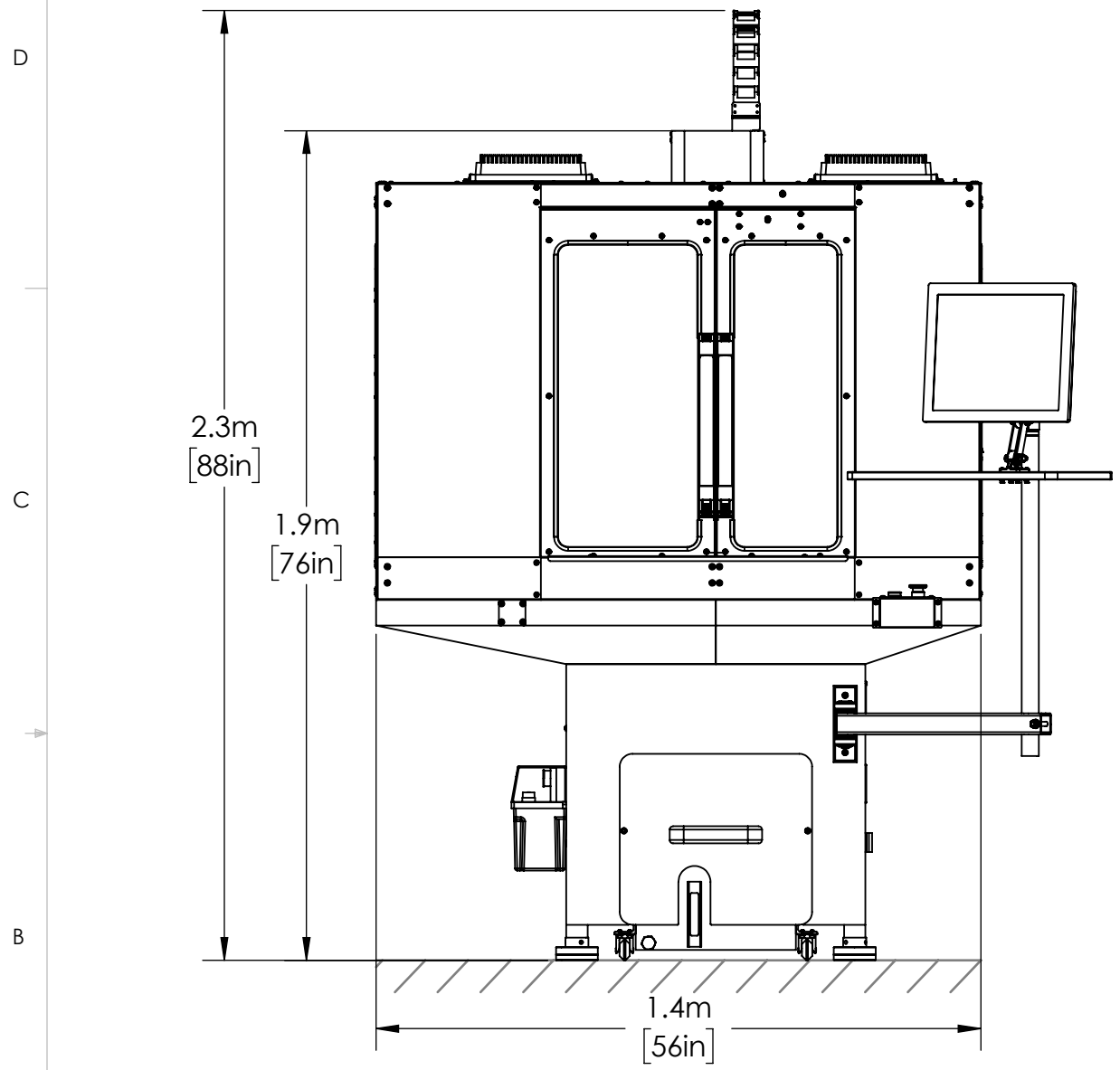


FOR REFERENCE ONLY



1071 UNIEK DR
WAUNAKEE, WI 53597
(608) 849-8381

THIS DRAWING CONTAINS PROPRIETARY AND CONFIDENTIAL INFORMATION BELONGING TO TORMACH INC. THIS DRAWING MAY NOT BE REPRODUCED OR COPIED IN WHOLE OR IN PART NOR CAN THE INFORMATION CONTAINED BE USED FOR ANY PURPOSE WITHOUT THE EXPRESS WRITTEN PERMISSION OF TORMACH INC

DRAWN BY: MCB
DATE: 2018-06

DO NOT SCALE DRAWING

TITLE:
770M MACHINE FOOTPRINT

SIZE: **B** DWG. NO.: **38874** REV: **A**

SCALE: 1:16 SHEET 1 OF 1

A	INITIAL RELEASE	2018-06
REV.	DESCRIPTION	DATE
	REVISIONS	

8 7 6 5 4 3 2 1