

NOTES

- SOLID MODELS FOR SPACE PLANNING AVAILABLE FROM TORMACH
- DIMENSIONS BASED ON STACKUP OF COMPONENTS MAY VARY BY 12mm
- DIMENSIONS SUBJECT TO CHANGE WITHOUT NOTICE
- CONTACT TORMACH PRESALES REGARDING SPECIALIZED ACCESS REQUIREMENTS

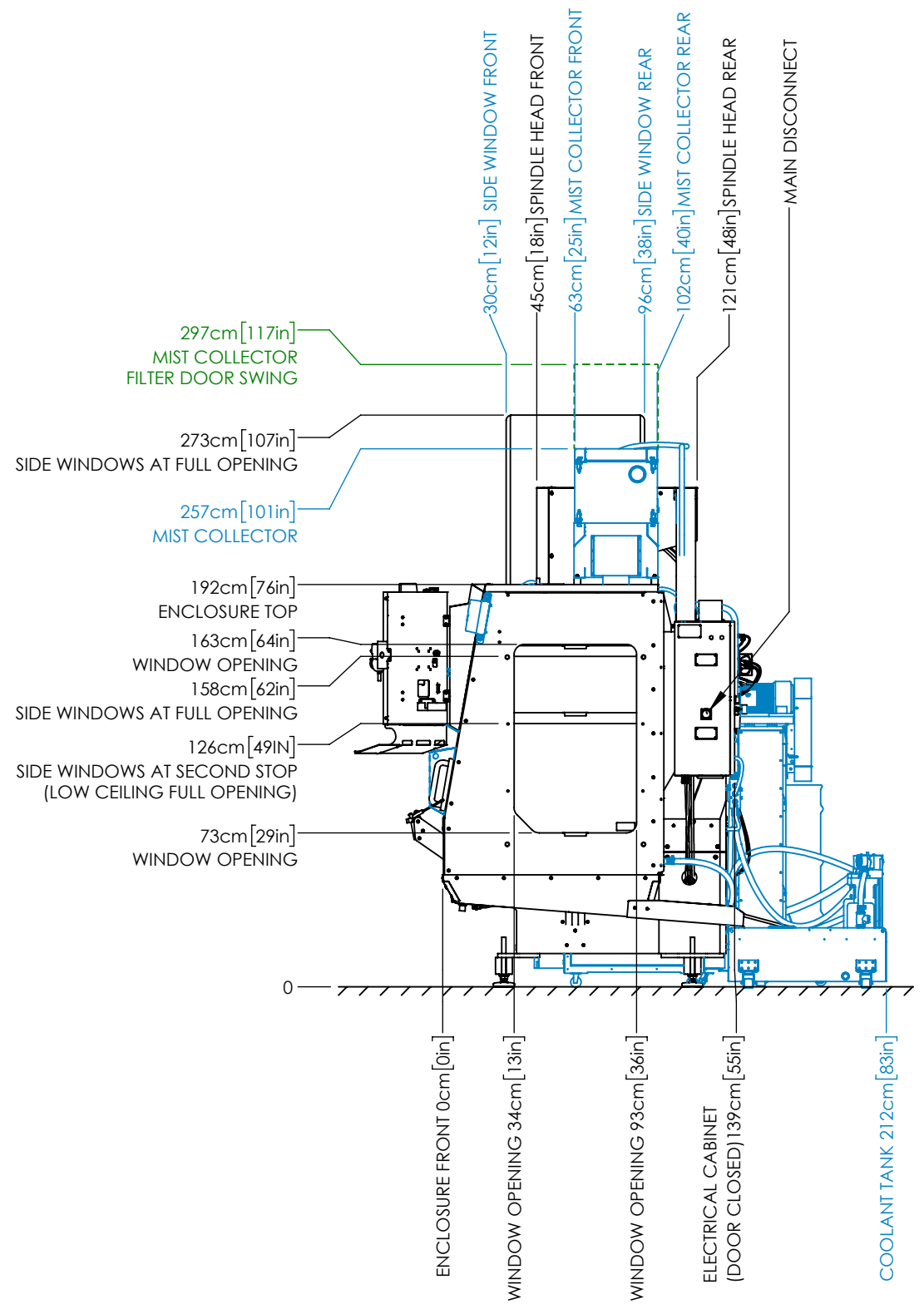
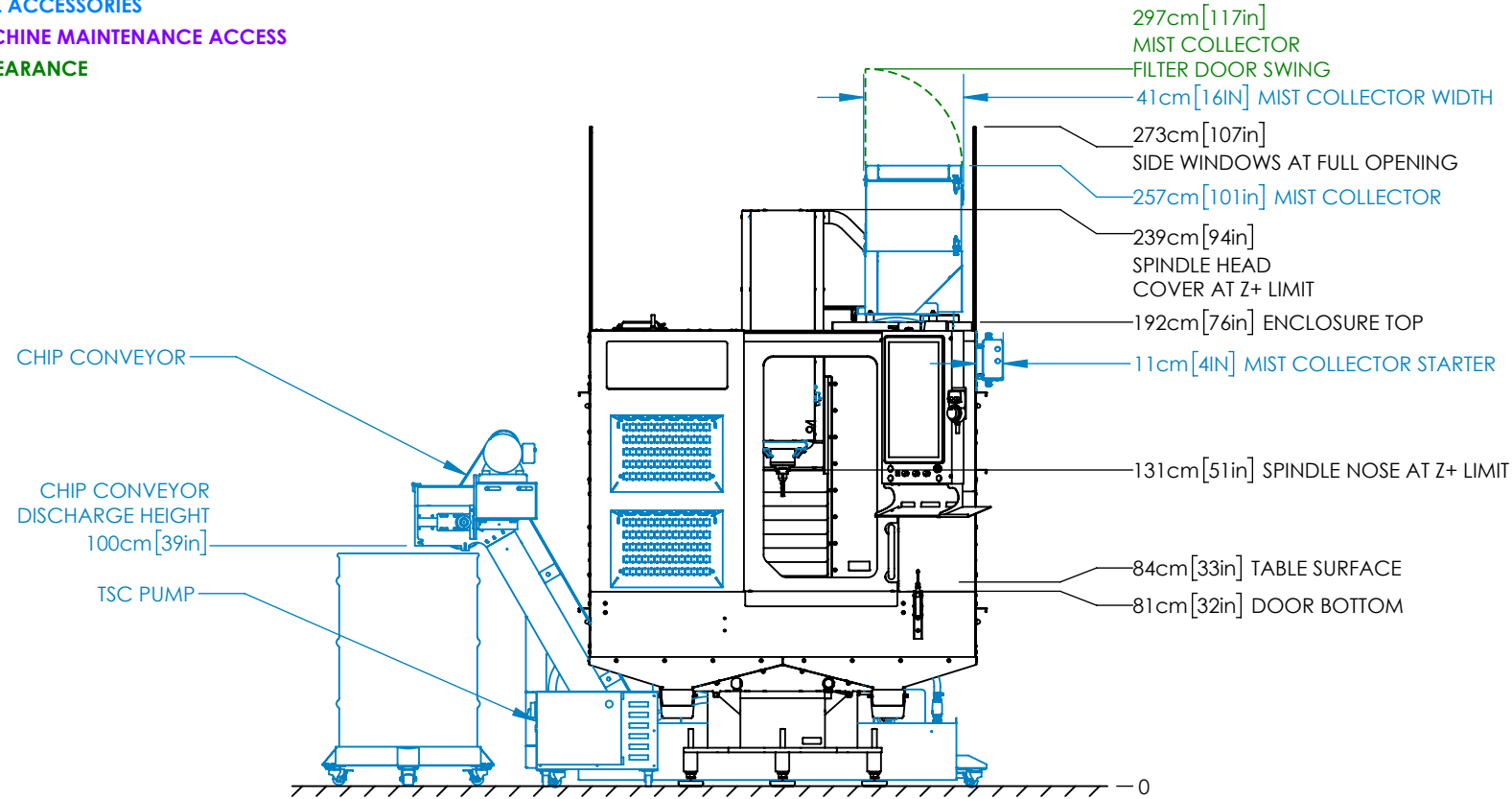
1500MX MILL
OPTIONAL ACCESSORIES
BASE MACHINE MAINTENANCE ACCESS
DOOR CLEARANCE

D

C

B

A



D

C

B

A

	TITLE:		1500MX MILL SPACE PLANNING	
	4009 FELLAND ROAD, STE. 120 MADISON, WI 53718 (608) 849-8381		DRAWN BY:	DATE:
THIS DRAWING CONTAINS PROPRIETARY AND CONFIDENTIAL INFORMATION BELONGING TO TORMACH INC. THIS DRAWING MAY NOT BE REPRODUCED OR COPIED IN WHOLE OR IN PART NOR CAN THE INFORMATION CONTAINED BE USED FOR ANY PURPOSE WITHOUT THE EXPRESS WRITTEN PERMISSION OF TORMACH INC		MATERIAL:	N/A	MCB 2023-02
DO NOT SCALE DRAWING		SIZE:	DWG. NO. 51221	REV D
		SCALE: 1:30		SHEET 1 OF 6

8

7

6

5

4

3

2

1

NOTES

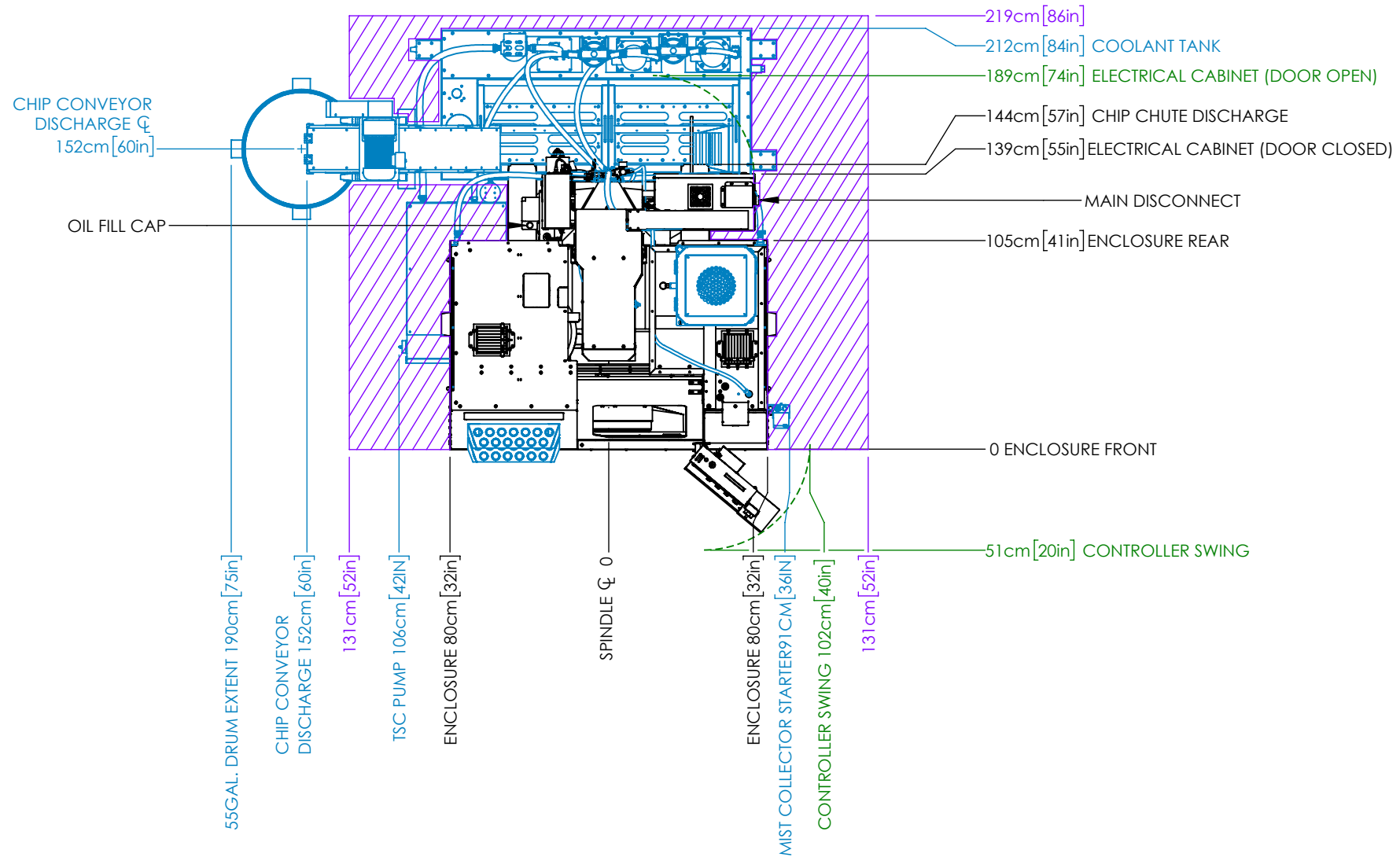
1. SOLID MODELS FOR SPACE PLANNING AVAILABLE FROM TORMACH
2. DIMENSIONS BASED ON STACKUP OF COMPONENTS MAY VARY BY 12mm
3. DIMENSIONS SUBJECT TO CHANGE WITHOUT NOTICE
4. CONTACT TORMACH PRESALES REGARDING SPECIALIZED ACCESS REQUIREMENTS

1500MX MILL

OPTIONAL ACCESSORIES

BASE MACHINE MAINTENANCE ACCESS

DOOR CLEARANCE



4009 FELLAND ROAD, STE. 120
MADISON, WI 53718
(608) 849-8381

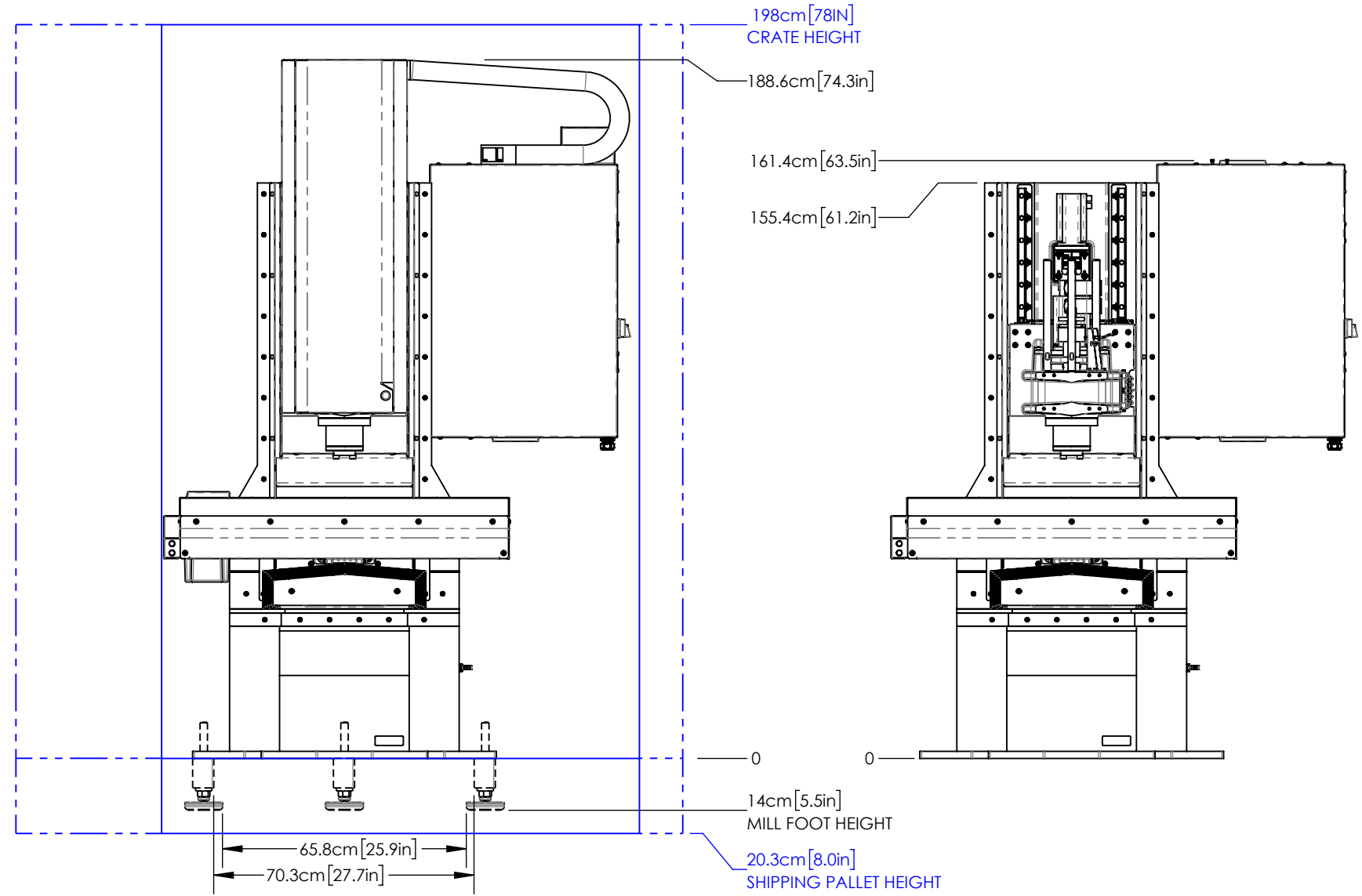
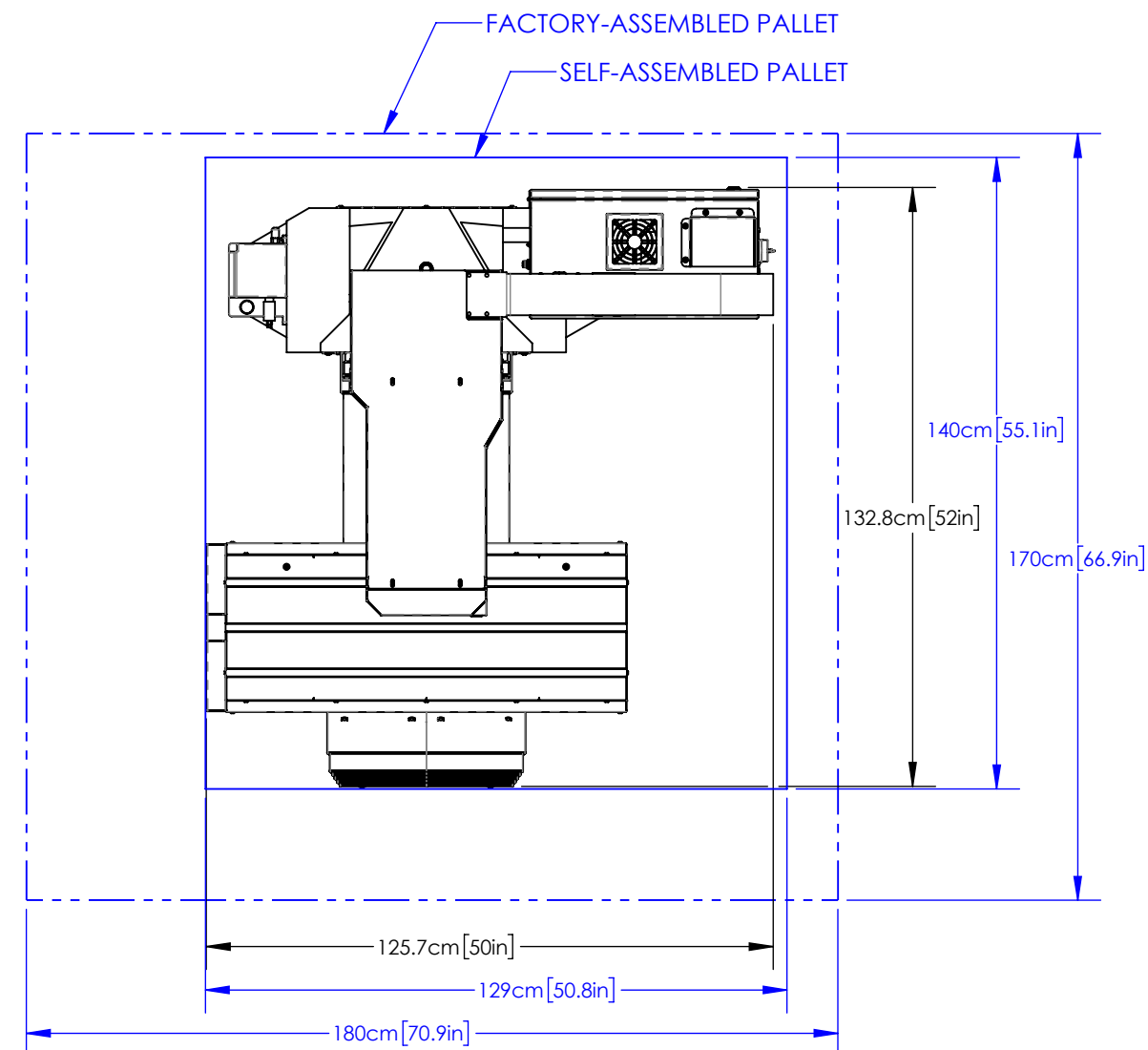
THIS DRAWING CONTAINS PROPRIETARY AND CONFIDENTIAL INFORMATION BELONGING TO TORMACH INC. THIS DRAWING MAY NOT BE REPRODUCED OR COPIED IN WHOLE OR IN PART NOR CAN THE INFORMATION CONTAINED BE USED FOR ANY PURPOSE WITHOUT THE EXPRESS WRITTEN PERMISSION OF TORMACH INC

		DRAWN BY	DATE	TITLE: 1500MX MILL SPACE PLANNING	
		MCB	2023-02		
MATERIAL	N/A	SIZE	DWG. NO.	REV	
DO NOT SCALE DRAWING		B	51221	D	
SCALE: 1:30			SHEET 2 OF 6		

NOTES

1. SOLID MODELS FOR SPACE PLANNING AVAILABLE FROM TORMACH
2. DIMENSIONS BASED ON STACKUP OF COMPONENTS MAY VARY BY 12mm
3. DIMENSIONS SUBJECT TO CHANGE WITHOUT NOTICE
4. CONTACT TORMACH PRESALES REGARDING SPECIALIZED ACCESS REQUIREMENTS
5. INDICATED HEIGHTS DO NOT INCLUDE HEIGHT REQUIRED FOR MACHINERY SKATES OR ROLLERS; VERIFY SKATE/ROLLER HEIGHT PRIOR TO MOVING MACHINE
6. MINIMUM HEIGHT CONFIGURATION REQUIRES PARTIAL DISASSEMBLY OF MACHINE

PACKAGING



TYPICAL CONFIGURATION

MINIMUM HEIGHT CONFIGURATION

SPINDLE HEAD COVER, POWER DRAWBAR CYLINDER,
Z-AXIS DRAG CHAIN REMOVED



4009 FELLAND ROAD, STE. 120
MADISON, WI 53718
(608) 849-8381

THIS DRAWING CONTAINS PROPRIETARY AND CONFIDENTIAL INFORMATION BELONGING TO TORMACH INC. THIS DRAWING MAY NOT BE REPRODUCED OR COPIED IN WHOLE OR IN PART NOR CAN THE INFORMATION CONTAINED BE USED FOR ANY PURPOSE WITHOUT THE EXPRESS WRITTEN PERMISSION OF TORMACH INC

DRAWN BY DATE
MCB 2023-02

MATERIAL
N/A

DO NOT SCALE DRAWING

TITLE:
**1500MX MINIMUM
TRANSPORT HEIGHT**

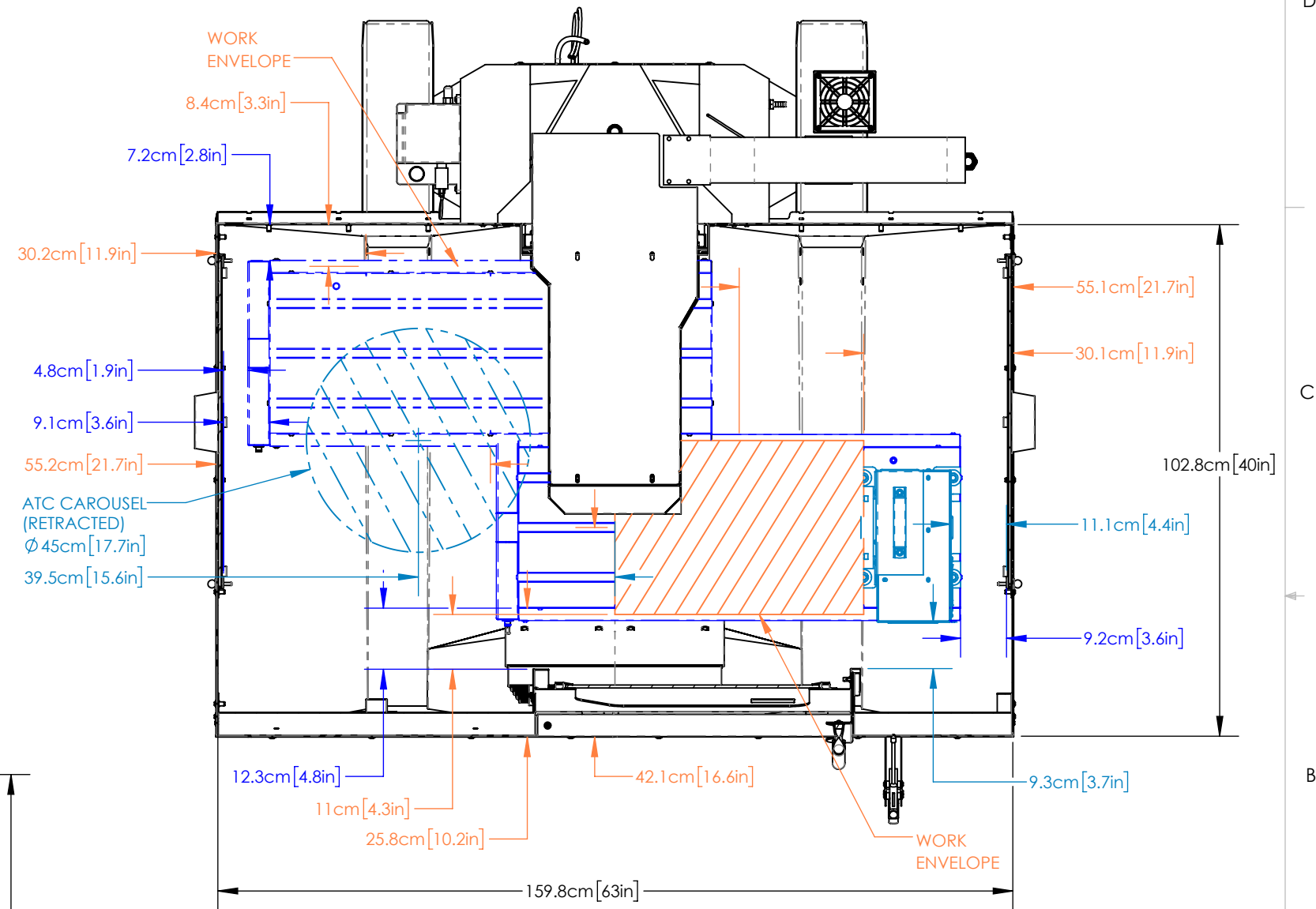
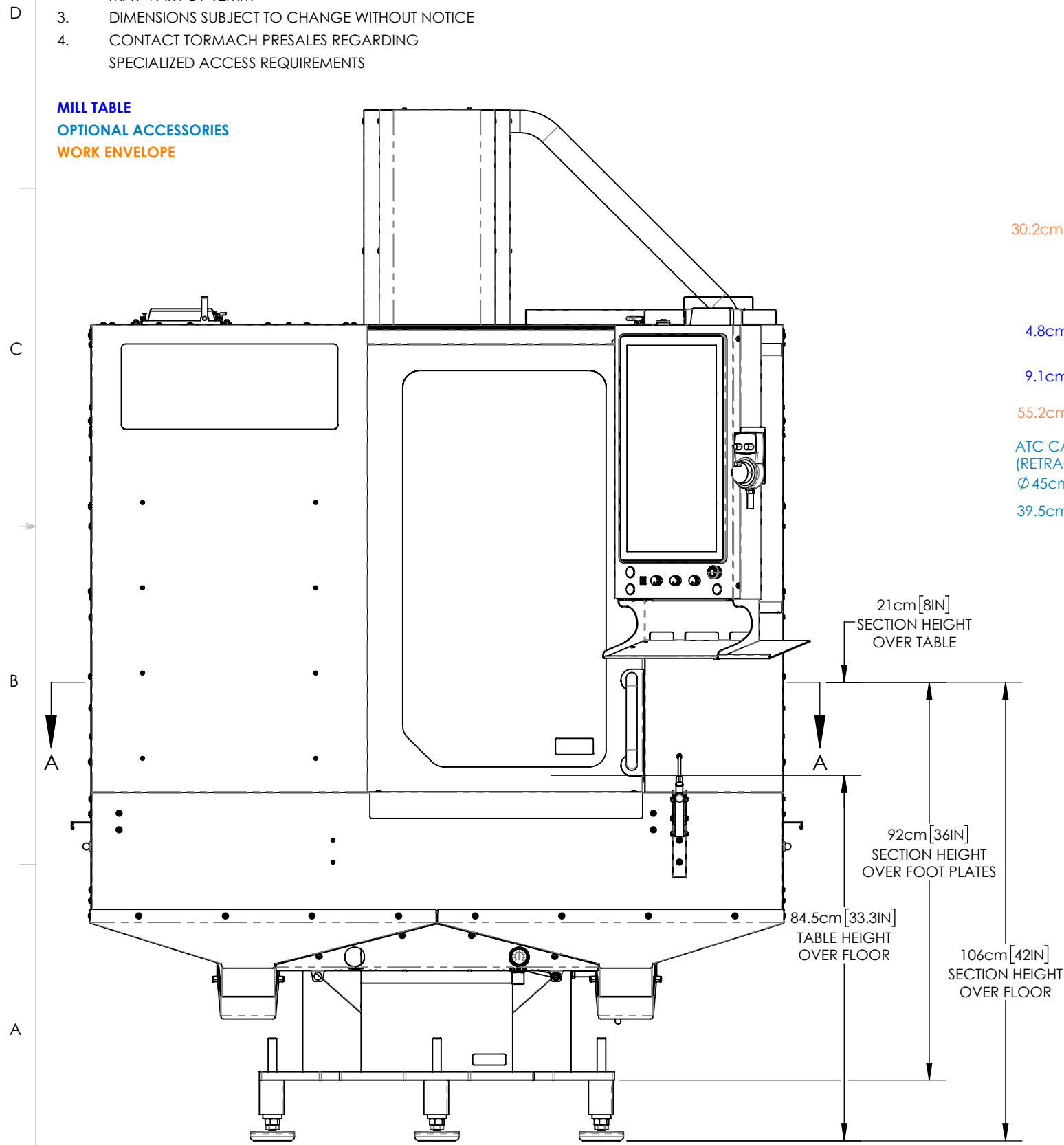
SIZE DWG. NO. REV
B 51221 **D**

SCALE: 1:16 SHEET 3 OF 6

NOTES

1. SOLID MODELS FOR SPACE PLANNING AVAILABLE FROM TORMACH
2. DIMENSIONS BASED ON STACKUP OF COMPONENTS MAY VARY BY 12mm
3. DIMENSIONS SUBJECT TO CHANGE WITHOUT NOTICE
4. CONTACT TORMACH PRESALES REGARDING SPECIALIZED ACCESS REQUIREMENTS

MILL TABLE
 OPTIONAL ACCESSORIES
 WORK ENVELOPE



SECTION A-A



4009 FELLAND ROAD, STE. 120
 MADISON, WI 53718
 (608) 849-8381

THIS DRAWING CONTAINS PROPRIETARY AND CONFIDENTIAL INFORMATION BELONGING TO TORMACH INC. THIS DRAWING MAY NOT BE REPRODUCED OR COPIED IN WHOLE OR IN PART NOR CAN THE INFORMATION CONTAINED BE USED FOR ANY PURPOSE WITHOUT THE EXPRESS WRITTEN PERMISSION OF TORMACH INC



DRAWN BY DATE
 MCB 2023-02

MATERIAL

DO NOT SCALE DRAWING

TITLE:
 1500MX TABLE TO ENCLOSURE CLEARANCE

SIZE DWG. NO. REV
B 51221 **D**

SCALE: 1:12 SHEET 4 OF 6

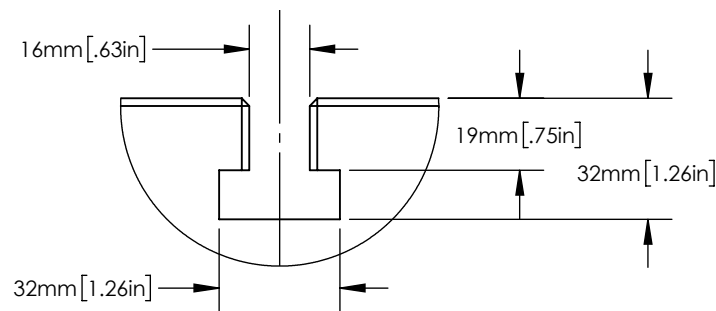
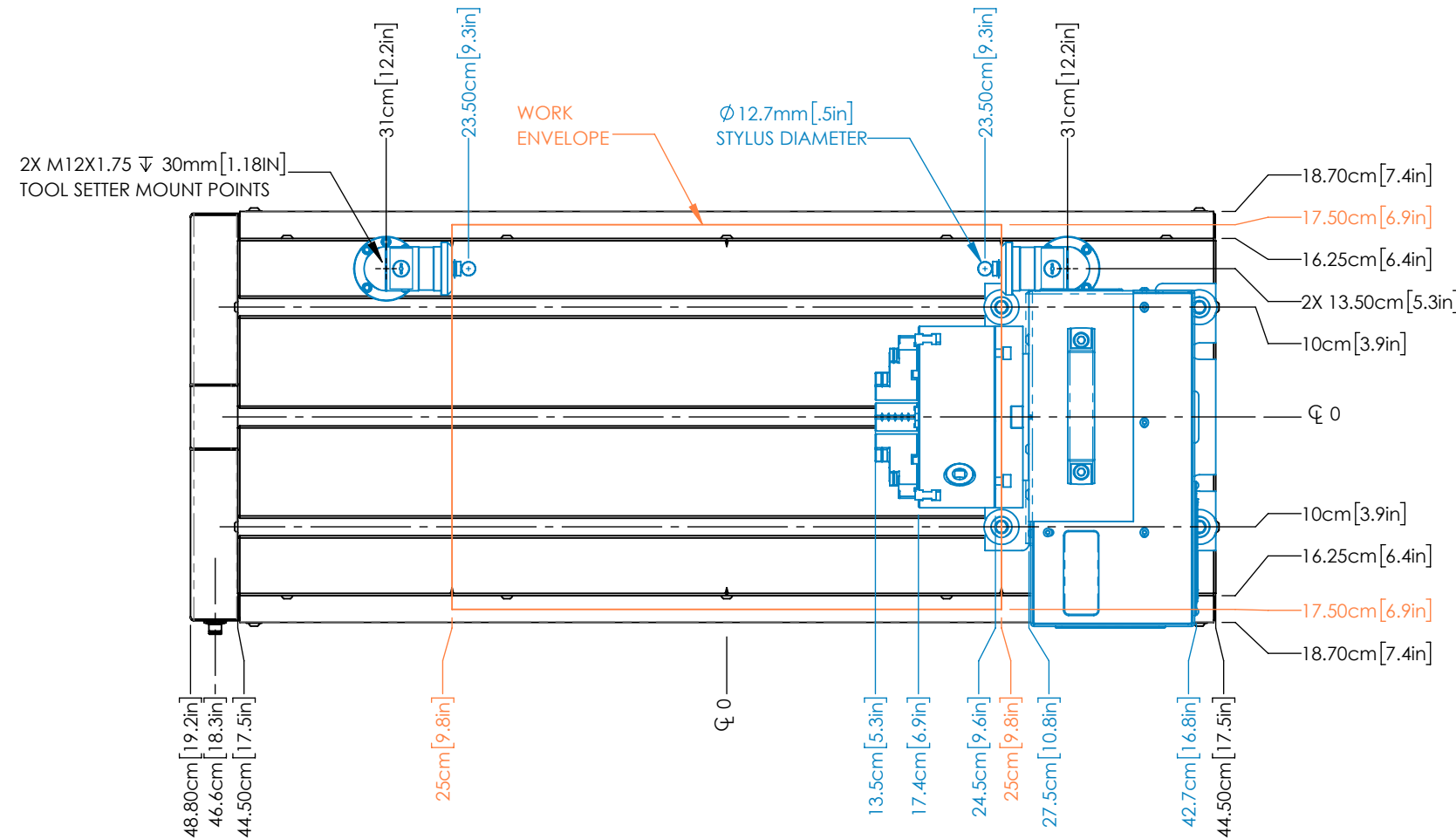
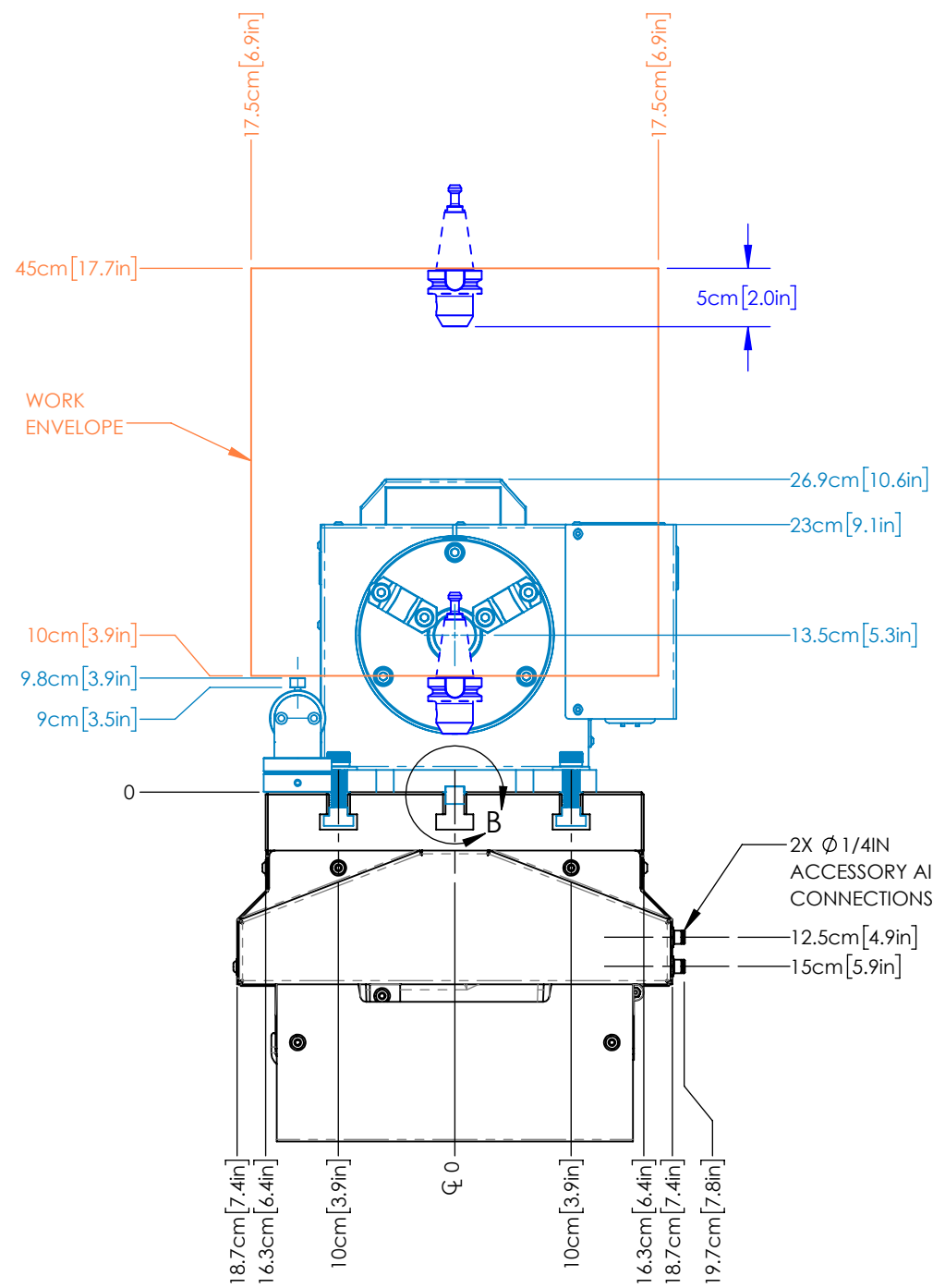
NOTES

1. SOLID MODELS FOR SPACE PLANNING AVAILABLE FROM TORMACH
2. DIMENSIONS BASED ON STACKUP OF COMPONENTS MAY VARY BY 12mm
3. DIMENSIONS SUBJECT TO CHANGE WITHOUT NOTICE
4. CONTACT TORMACH PRESALES REGARDING SPECIALIZED ACCESS REQUIREMENTS

TOOL HOLDER LOCATION AT Z-LIMITS

OPTIONAL ACCESSORIES

WORK ENVELOPE



DETAIL B
SCALE 1 : 2





4009 FELLAND ROAD, STE. 120
MADISON, WI 53718
(608) 849-8381

THIS DRAWING CONTAINS PROPRIETARY AND CONFIDENTIAL INFORMATION BELONGING TO TORMACH INC. THIS DRAWING MAY NOT BE REPRODUCED OR COPIED IN WHOLE OR IN PART NOR CAN THE INFORMATION CONTAINED BE USED FOR ANY PURPOSE WITHOUT THE EXPRESS WRITTEN PERMISSION OF TORMACH INC

DRAWN BY		DATE		TITLE:	
MCB		2023-02		1500MX MILL SPACE PLANNING	
MATERIAL		SIZE	DWG. NO.	REV	
N/A		B	51221	D	
DO NOT SCALE DRAWING		SCALE: 1:6		SHEET 5 OF 6	

D	ADDED PALLET DIMENSIONS AND CRATE HEIGHTS TO MINIMUM HEIGHT SHEET; ADDED MICROARC6 TO TABLE CLEARANCE AND TABLE DETAIL DRAWINGS; ADDED ACCESSORY AIR CONNECTIONS AND TOOL HOLDER AT Z-LIMITS TO TABLE DETAIL SHEET	2024-10
C	SPLIT FRONT/RIGHT AND TOP VIEWS ON SEPARATE SHEETS; ADDED MINIMUM HEIGHT, TABLE CLEARANCE, AND TABLE DETAIL SHEETS	2024-10
B	ADDED ADDITIONAL OVERHEAD CLEARANCES TO FRONT VIEW	2024-04
A	INITIAL DOCUMENTATION RELEASE	2024-01
REV.	DESCRIPTION	DATE
REVISIONS		

	TITLE:		1500MX MILL SPACE PLANNING		
	4009 FELLAND ROAD, STE. 120 MADISON, WI 53718 (608) 849-8381		DRAWN BY MCB	DATE 2023-02	
THIS DRAWING CONTAINS PROPRIETARY AND CONFIDENTIAL INFORMATION. BELONGING TO TORMACH INC. THIS DRAWING MAY NOT BE REPRODUCED OR COPIED IN WHOLE OR IN PART NOR CAN THE INFORMATION CONTAINED BE USED FOR ANY PURPOSE WITHOUT THE EXPRESS WRITTEN PERMISSION OF TORMACH INC		MATERIAL	SIZE B	DWG. NO. 51221	REV D
		DO NOT SCALE DRAWING	SCALE: 1:6	SHEET 6 OF 6	