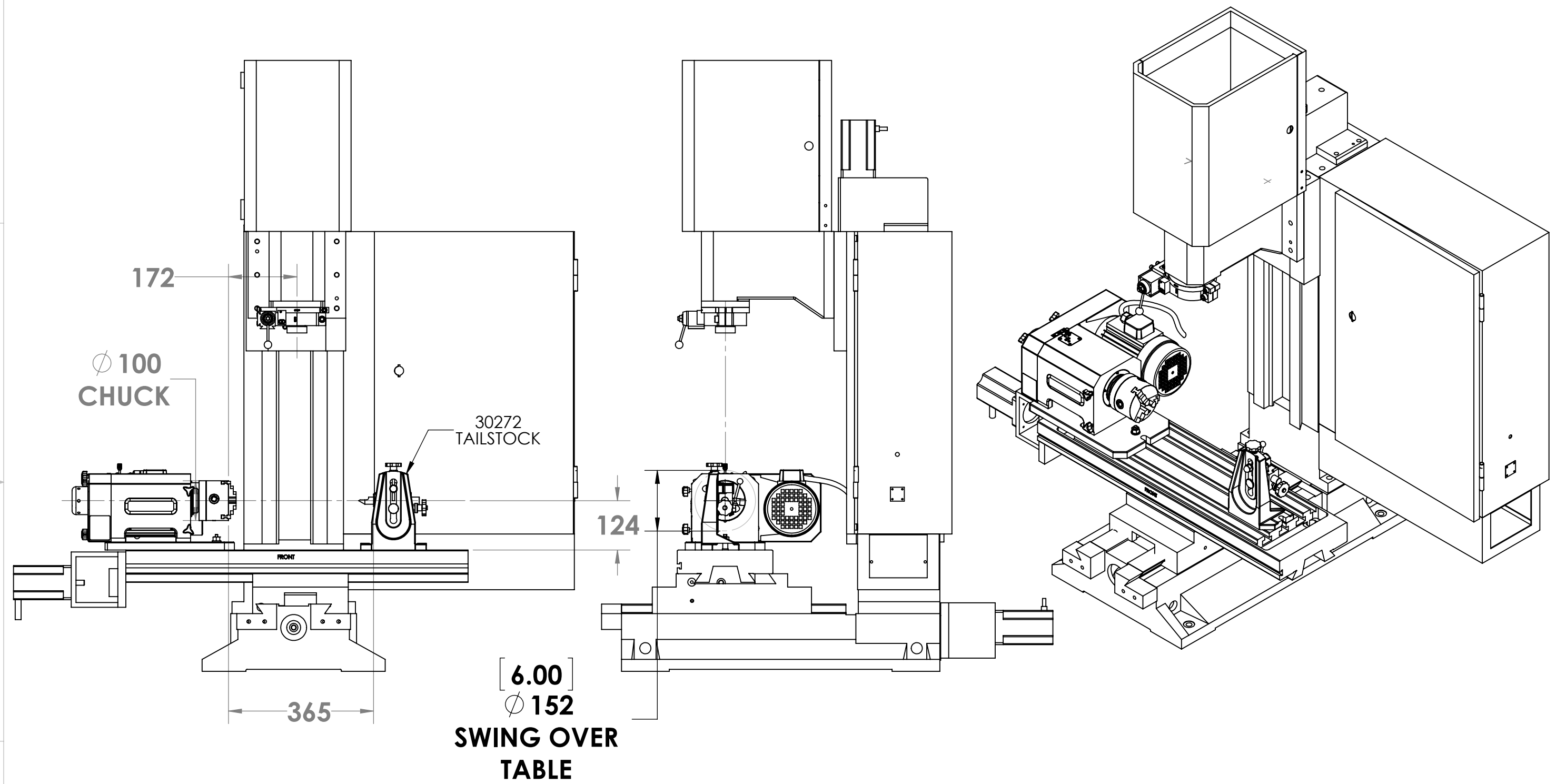





8 7 6 5 4 3 2 1

D
C
B
A

D
C
B
A



RAPIDTURN w/CHUCK PCNC 1100

 1071 Uniek Dr Waunakee, WI 53597 608-849-8381	UNSPECIFIED TOLERANCES		TITLE:	
	METRIC		RAPIDTURN ON PCNC1100	
THIS DRAWING CONTAINS PROPRIETARY AND CONFIDENTIAL INFORMATION BELONGING TO TORMACH LLC. THIS DRAWING MAY NOT BE REPRODUCED OR COPIED IN WHOLE OR IN PART NOR CAN THE INFORMATION CONTAINED BE USED FOR ANY PURPOSE WITHOUT THE EXPRESS WRITTEN PERMISSION OF TORMACH LLC	 	DRAWN BY RLT	DATE 06/2016	SIZE B
	MATERIAL N/A	DWG. NO. LAYOUT		REV -
DO NOT SCALE DRAWING		SCALE: 1:10 WEIGHT: N/A		SHEET 1 OF 1

8 7 6 5 4 3 2 1