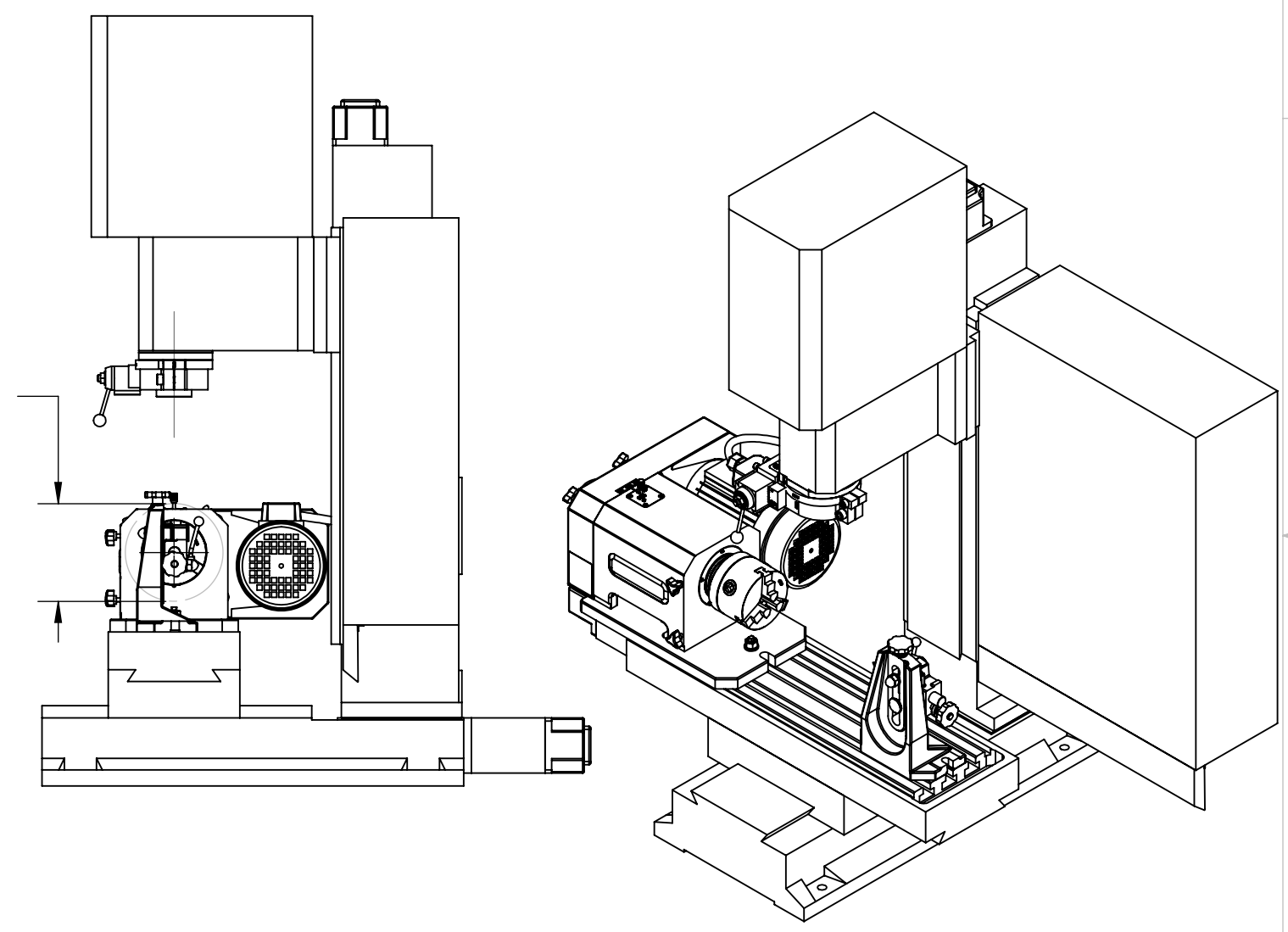
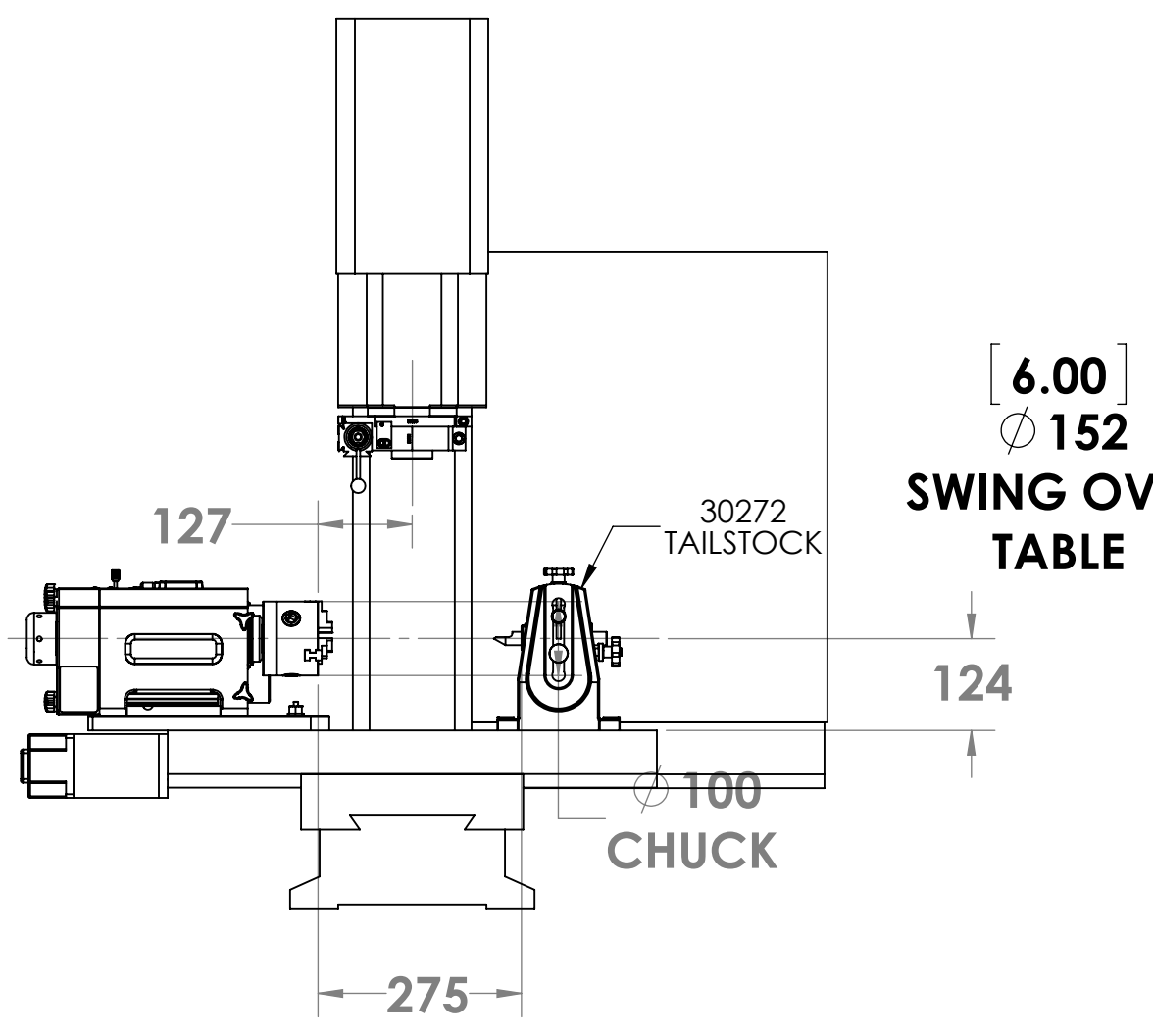





8 7 6 5 4 3 2 1

D
C
B
A

D
C
B
A



RAPIDTURN w/CHUCK PCNC 770

 1071 Uniek Dr Waunakee, WI 53597 608-849-8381	UNSPECIFIED TOLERANCES		TITLE:	
	METRIC		RAPIDTURN ON PCNC770	
<small>THIS DRAWING CONTAINS PROPRIETARY AND CONFIDENTIAL INFORMATION BELONGING TO TORMACH LLC. THIS DRAWING MAY NOT BE REPRODUCED OR COPIED IN WHOLE OR IN PART NOR CAN THE INFORMATION CONTAINED BE USED FOR ANY PURPOSE WITHOUT THE EXPRESS WRITTEN PERMISSION OF TORMACH LLC</small>	 	DRAWN BY RLT	DATE 06/2016	SIZE
	MATERIAL N/A	DWG. NO. LAYOUT		REV -
DO NOT SCALE DRAWING		SCALE: 1:10 WEIGHT: N/A		SHEET 1 OF 1

8 7 6 5 4 3 2 1