

TITLE

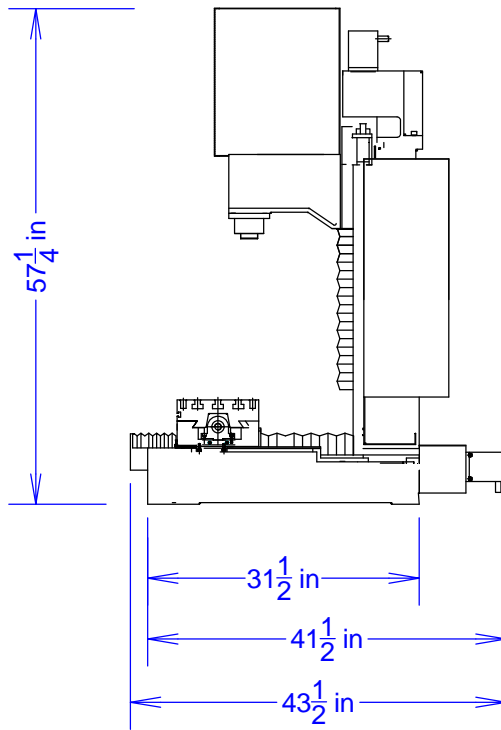
# Machine Dimensions Space Planning Only

SIZE	CAGE CODE	DWG NO	REV
A		D40148	A
SCALE	page 1 of 3		SHEET

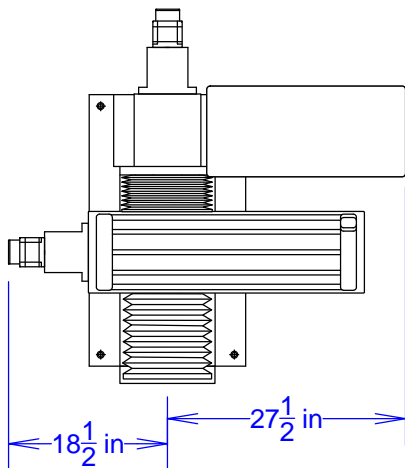
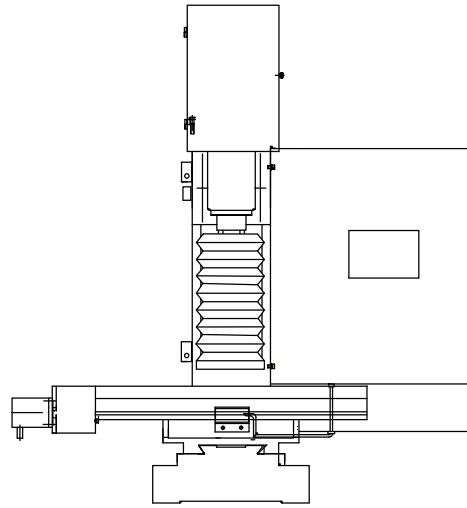
## PLEASE NOTE:

This is a 3 page drawing  
 Page 1 : Machine only  
 Page 2: Machine with Lift Bar  
 Page 3 : Machine and Deluxe Stand (pn 30297)

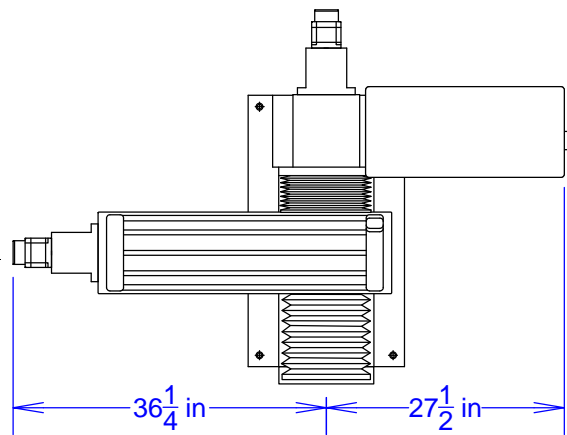
Side View - Machine Only



Front View - Machine Only



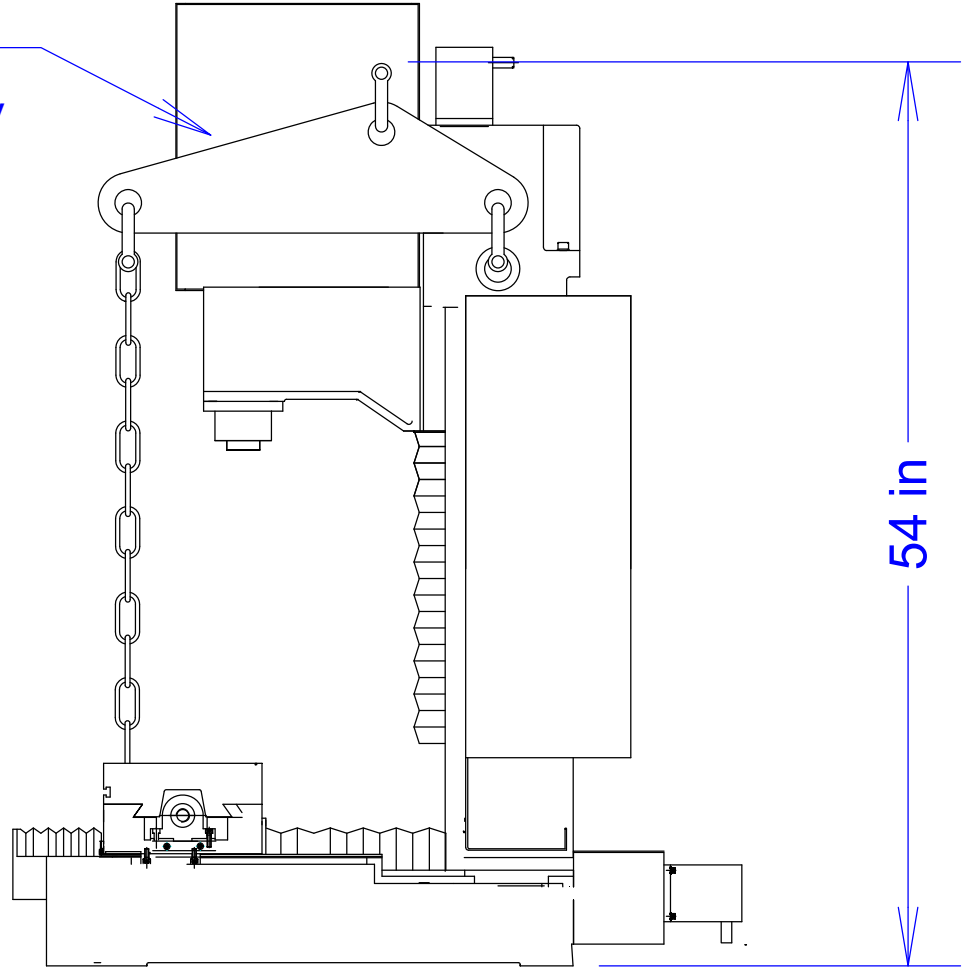
Top View - Machine Only  
Table Extreme Right  
Measured from Centerline



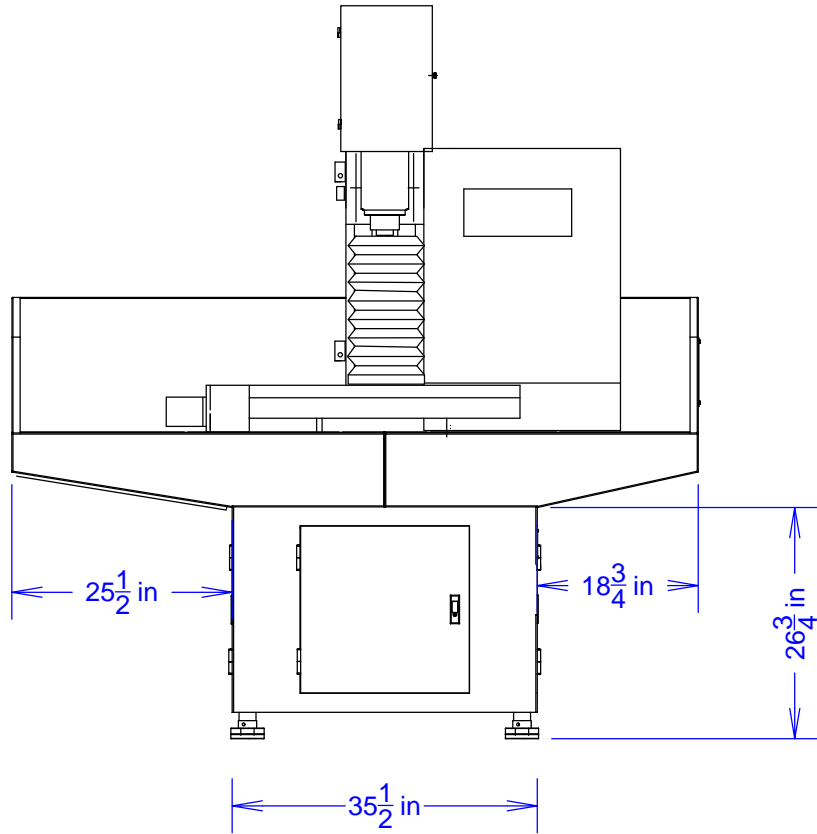
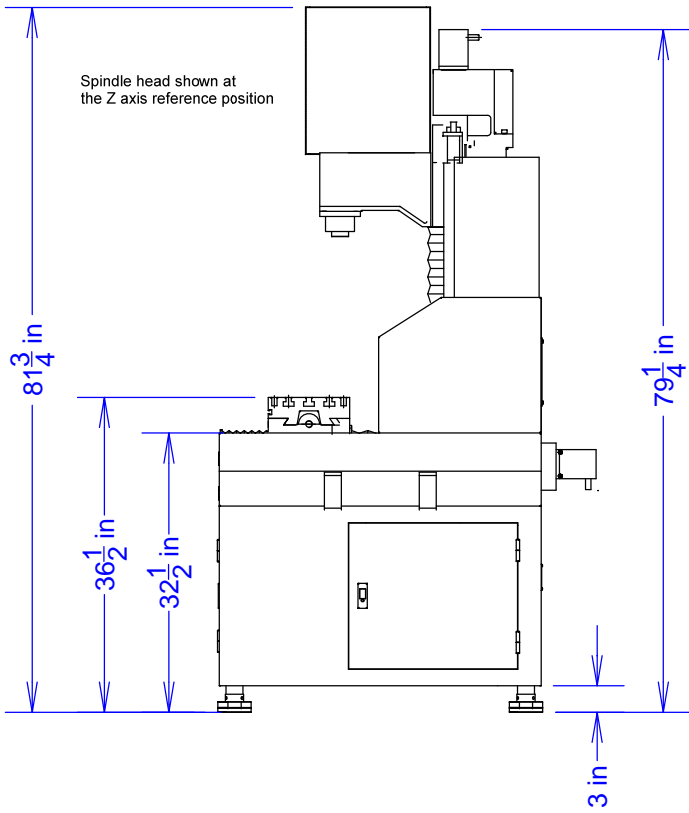
Top View - Machine Only  
Table Extreme Left  
Measured from Centerline

# Clearance Required for Lift Bar

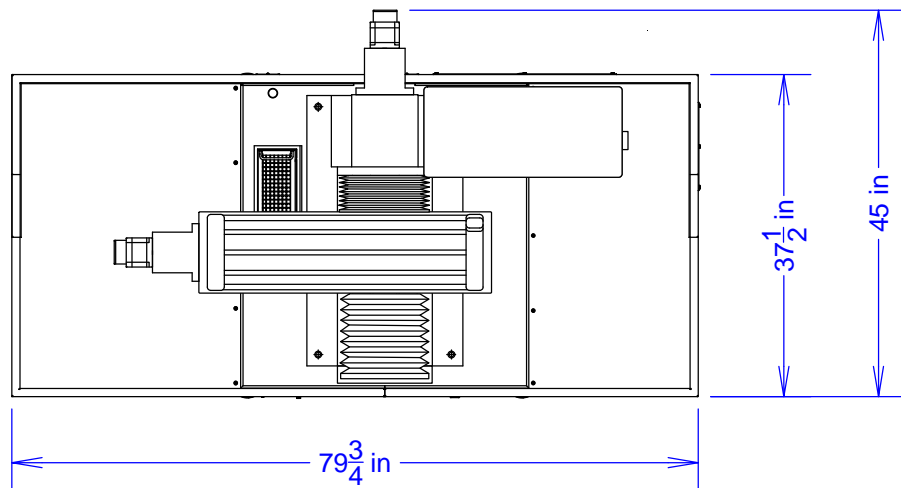
PN 31446  
Lift Bar Accessory



TITLE			
Machine & Stand Dimensions Space Planning Only			
SIZE	CAGE CODE	DWG NO	REV
A		D40148 page 2 of 3	A
SCALE		SHEET	



**NOTE:** This is the 30297 model machine stand manufactured after November 2006. It is slightly lower than the earlier model.



TITLE			
<b>Machine &amp; Stand Dimensions Space Planning Only</b>			
SIZE	CAGE CODE	DWG NO	REV
A		D40148 page 3 of 3	A
SCALE		SHEET	