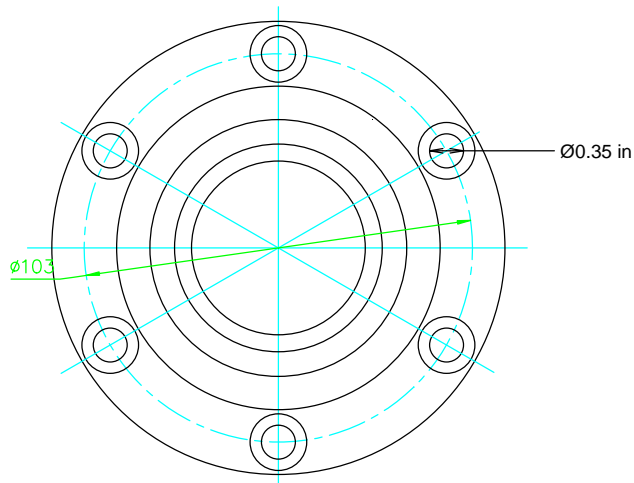
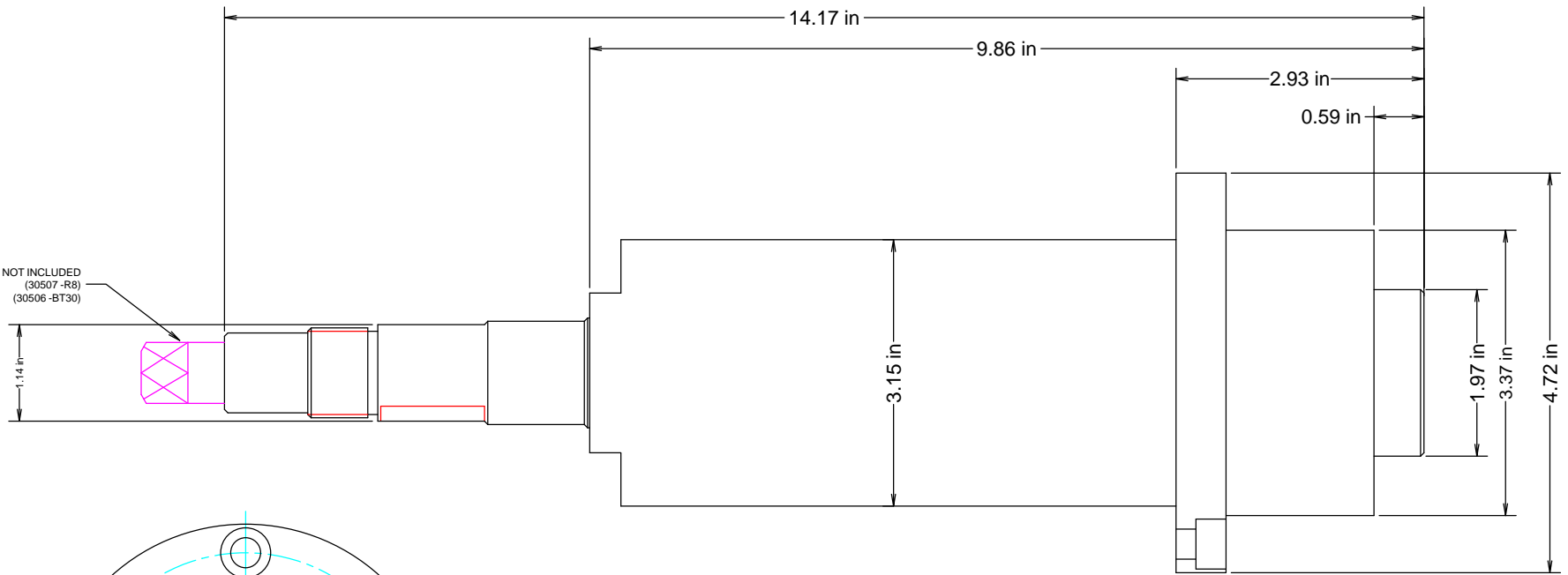


DRAW BAR NOT INCLUDED
(30507-R8)
(30506-BT30)



NOTE:
ALL TOLERANCES ARE NOMINAL.



Tormach
204 Moravian Valley Rd., Suite N
Waunakee, WI 53597
Phone: 608.849.8381
www.tormach.com

DRAWN
MMD

DATE
9/2/08

CHECKED

QA

MFG

APPROVED

Spindle Cartridge assy
Same for R8 and BT30
(30306 and 30505)

This drawing meant for customer use

SIZE
A

FSCM NO.

DWG NO.

D40205

SCALE

SHEET