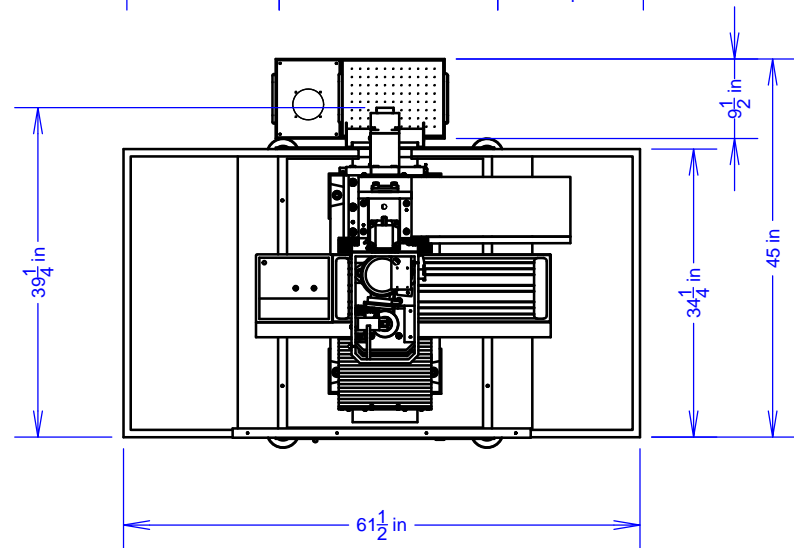
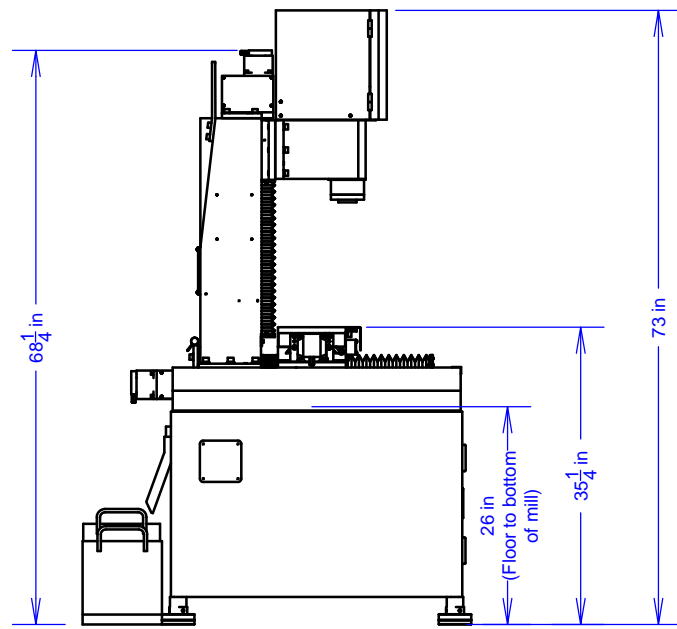
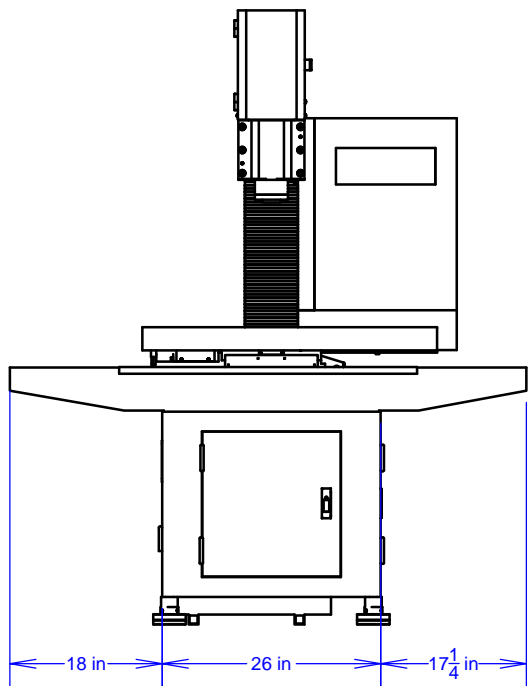


B	updated pages 1 and 2 dims	5/24/12	MMD	REV	DESCRIPTION	DATE	INITIALS
					INITIAL RELEASE	1/8/10	MMD
A	updated page 2 dims				updated page 2 dims	8/4/2010	MMD

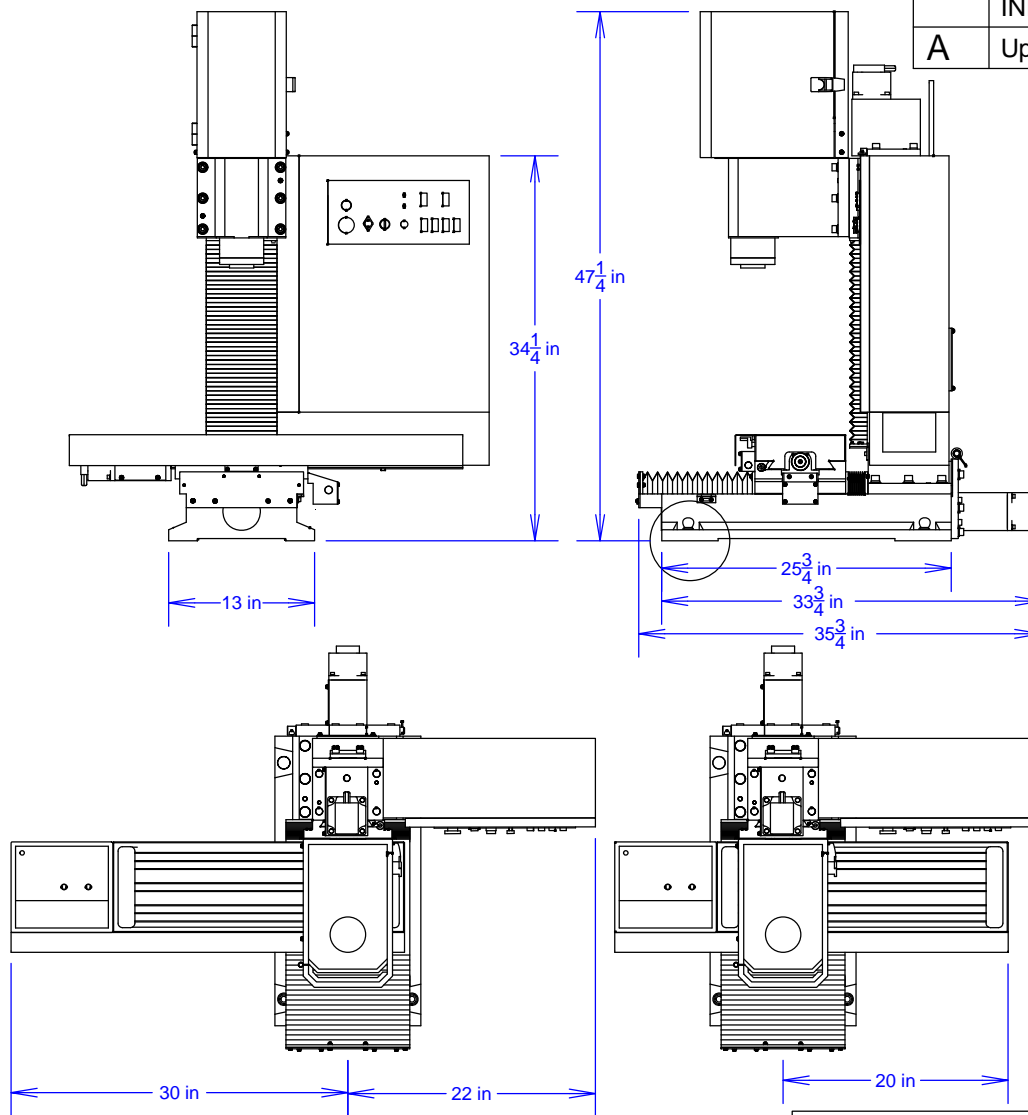


Tormach  
 204 Moravian Valley Rd., Suite N  
 Waunakee, WI 53597  
 Phone: 608.849.8381  
 www.tormach.com

**PCNC 770 MACHINE DIMENSIONS  
 -MILL & STAND**

SIZE <b>A</b>	DWG NO <b>D40275</b>	REV <b>B</b>
SCALE	SHEET <b>1 OF 3</b>	

REV	DESCRIPTION	DATE	INITIALS
B	Updated dims pages 1 and 2	5/24/2012	MMD
	INITIAL RELEASE	1/8/10	MMD
A	Updated dims page 2	8/4/2010	MMD

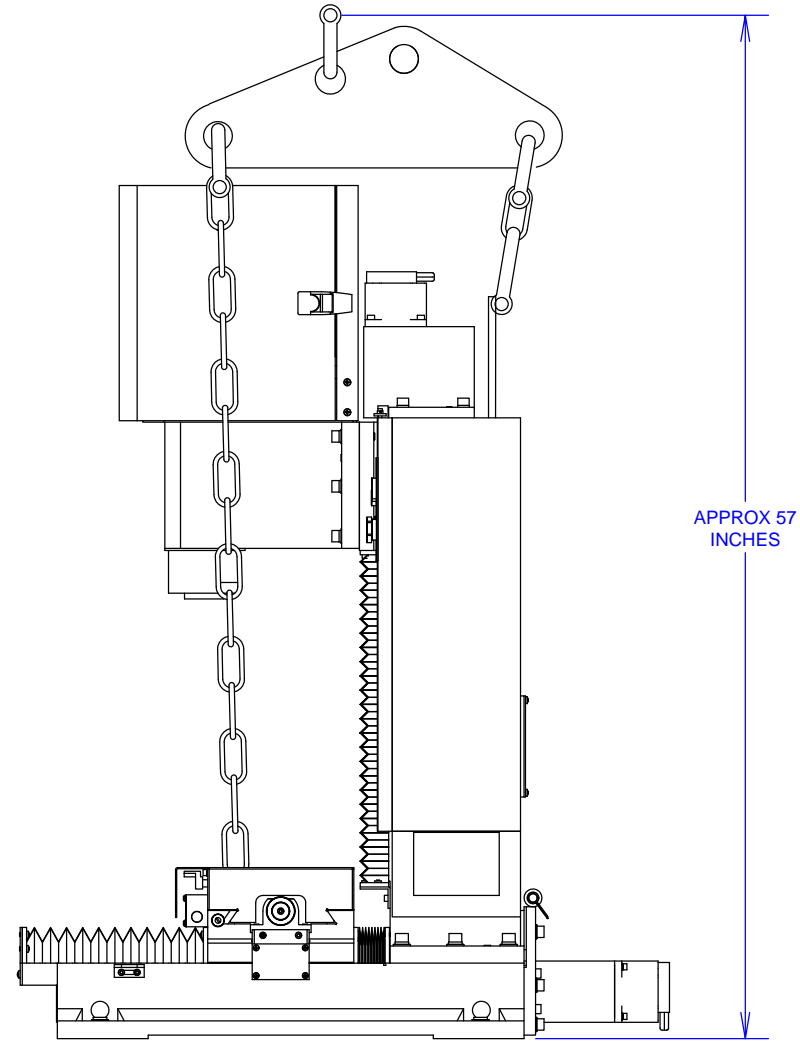
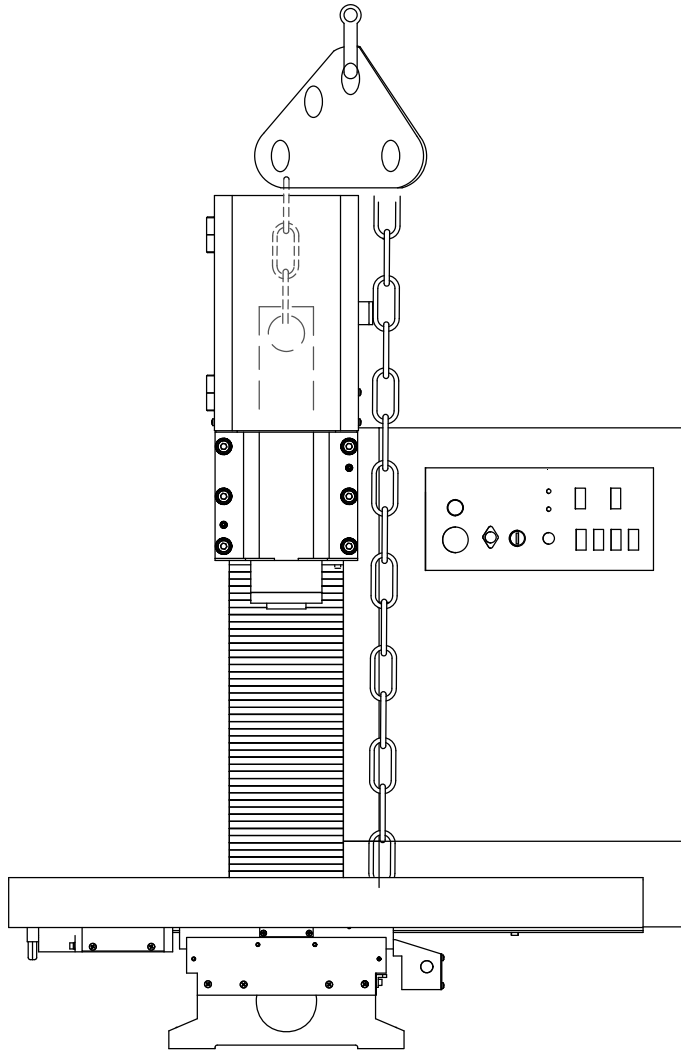


### PCNC 770 MACHINE DIMENSIONS - MILL ONLY

Tormach  
204 Moravian Valley Rd., Suite N  
Waunakee, WI 53597  
Phone: 608.849.8381  
www.tormach.com

SIZE <b>A</b>	DWG NO <b>D40275</b>	REV <b>B</b>
SCALE	SHEET <b>2 OF 3</b>	

REV	DESCRIPTION	DATE	INITIALS
	INITIAL RELEASE	XXXXX	XXX



APPROX 57  
INCHES

## PCNC 770 -MACHINE DIMENSIONS -LIFTING BAR

Tormach  
204 Moravian Valley Rd., Suite N  
Waunakee, WI 53597  
Phone: 608.849.8381  
www.tormach.com

SIZE <b>A</b>	DWG NO <b>D40275</b>	REV <b>B</b>
SCALE	SHEET <b>3 OF 3</b>	