

TECHNICAL DOCUMENT

INSTALLATION GUIDE: PCNC 440 STAND

Product Identification: PCNC 440 Stand (PN 35671)

Purpose: This document details assembly of the PCNC 440 stand.

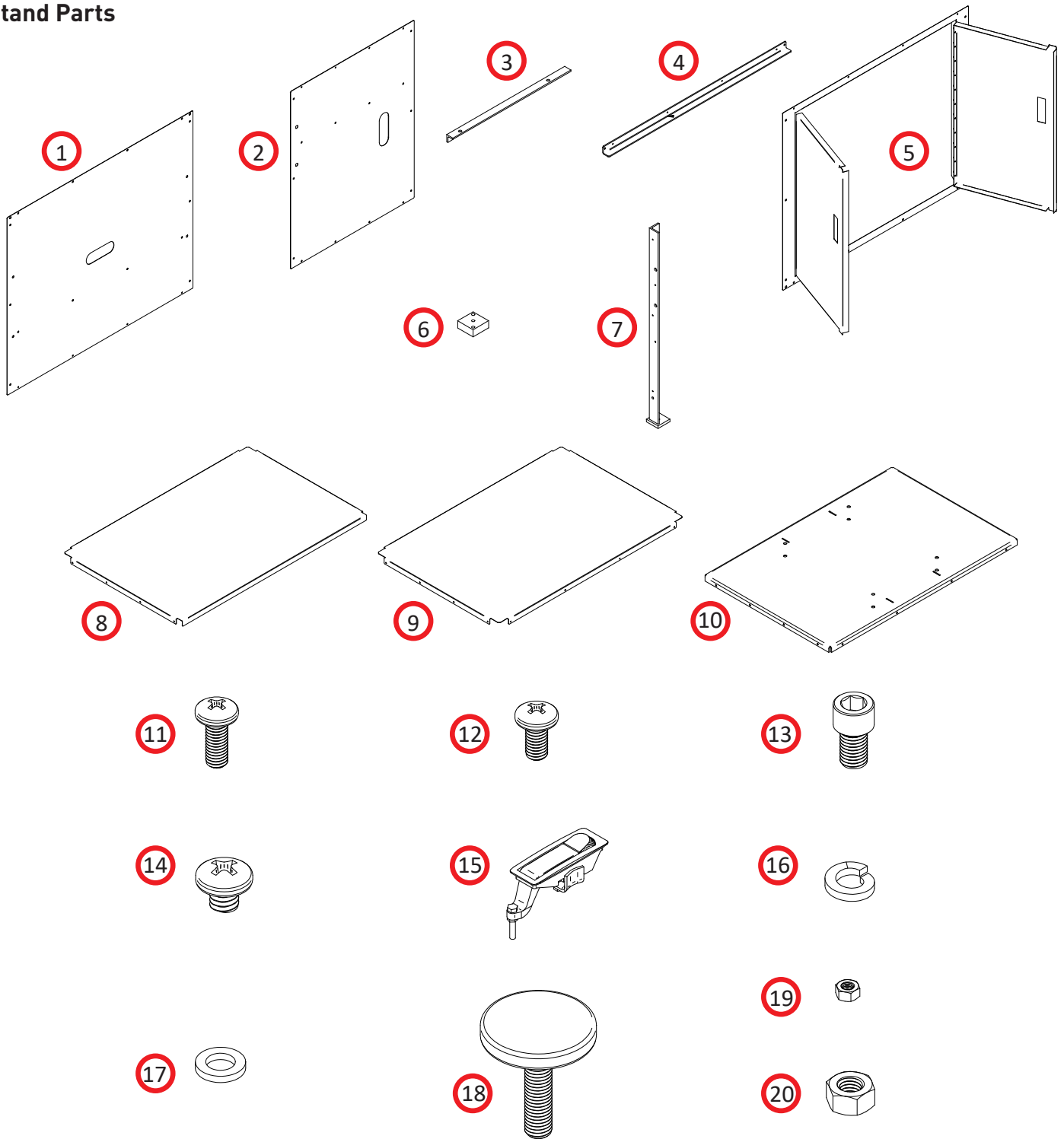
Item#	PCNC 440 Stand	Qty.
1	Back Panel	1
2	Side Panel	2
3	Upper Support	2
4	Lower Support	2
5	Door Assembly	1
6	Mounting Block	4
7	Leg	4
8	Middle Shelf	1
9	Lower Shelf	1
10	Top Panel	1
11	10-32 x 1/2" Phillips Screw	8
12	10-32 x 3/8" Phillips Screw	60
13	M12 x 20 mm Socket Head Cap Screw	12
14	1/4-20 x 3/8" Phillips Screw	4
15	Door Lock	2
16	M12 Lock Washer	12
17	M12 Flat Washer	4
18	Leveling Foot	4
19	10-32 Nut	12
20	M12 Nut	4

NOTE: Some fasteners in this kit may include extras. If any of these items are missing, contact Tormach Customer Service at (608) 849-8381 for a replacement.



TECHNICAL DOCUMENT

Stand Parts



TECHNICAL DOCUMENT

Stand Assembly

NOTE: Operator may choose to use thread-locking fluid (not included) on stand screws during assembly.

1. Using 12 10-32 x 3/8" Phillips Screws, attach four Legs to two Side Panels (see **Figure 1**).

NOTE: Middle Shelf holes should be oriented as shown in **Figure 1**.

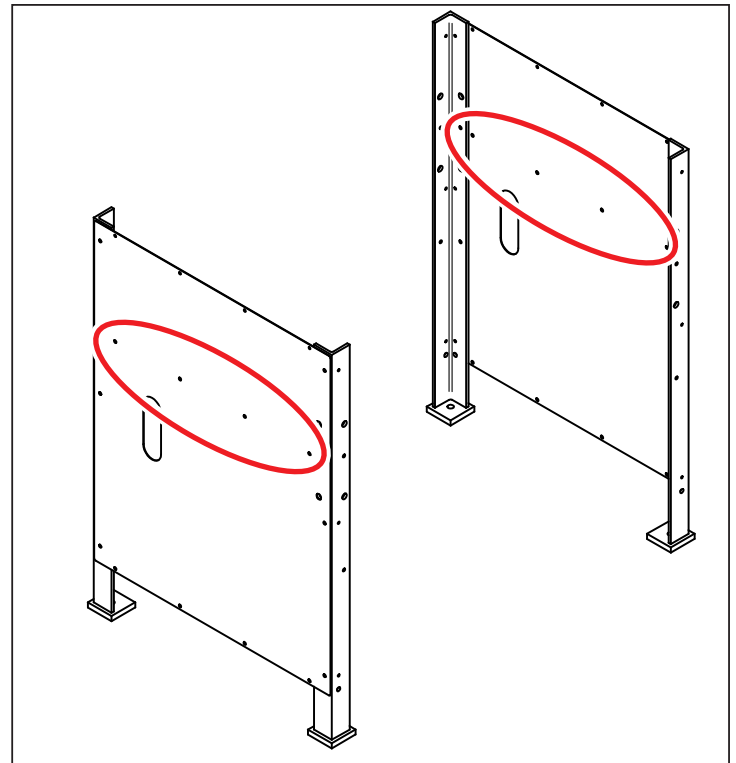


Figure 1

2. Using six 10-32 x 3/8" Phillips Screws, attach Back Panel (see **Figure 2**).

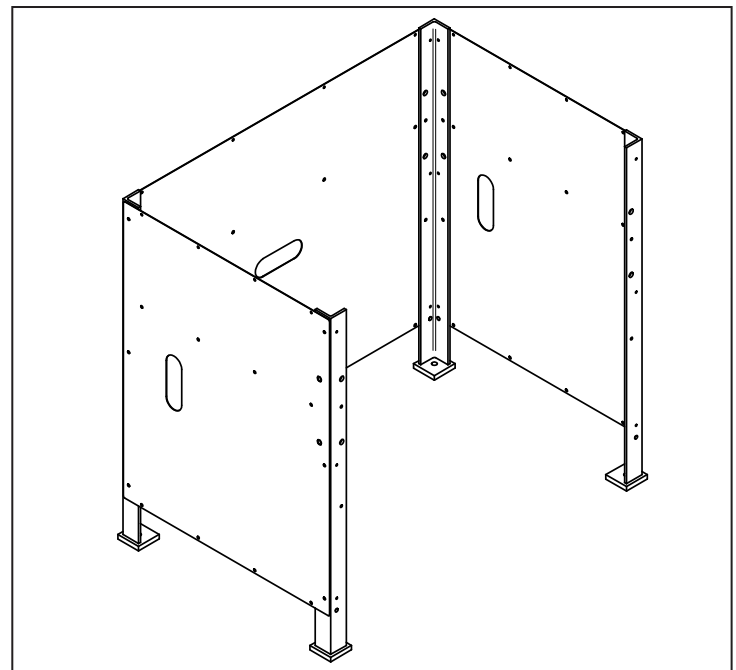


Figure 2

TECHNICAL DOCUMENT

- Using eight 10-32 x 3/8" Phillips Screws, attach Lower Shelf (see **Figure 3**).

NOTE: In this step, do not put any screws in back side of the Lower Shelf; these will be added later.

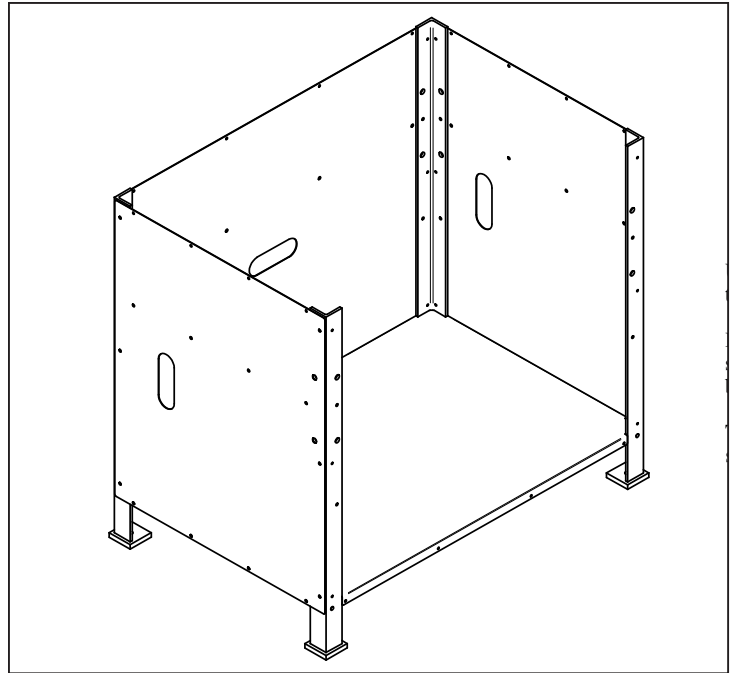


Figure 3

- Using 12 10-32 x 3/8" Phillips Screws, attach Middle Shelf (see **Figure 4**).

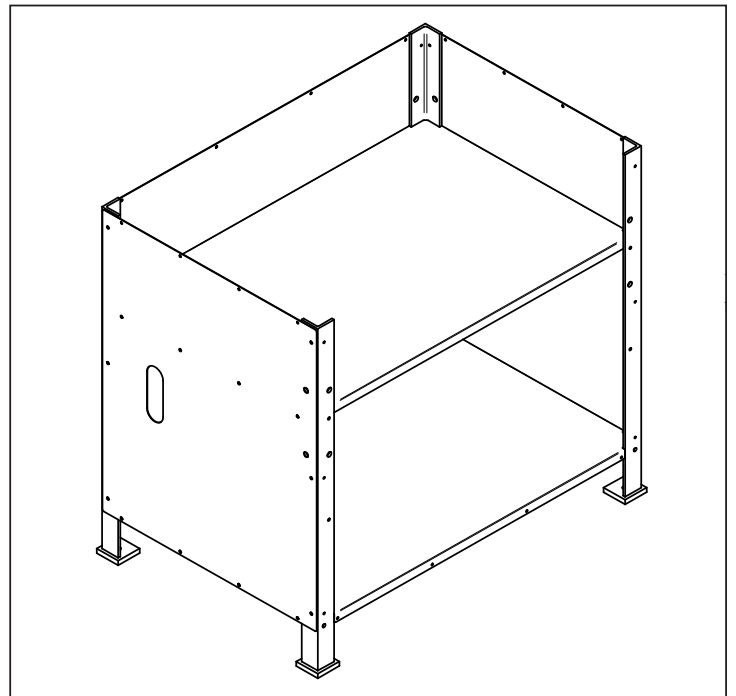


Figure 4

TECHNICAL DOCUMENT

- Using six 10-32 x 3/8" Phillips Screws, attach Door Assembly (see **Figure 5**).

NOTE: In this step, do not put any screws in front surface of Lower Shelf; these will be added later.

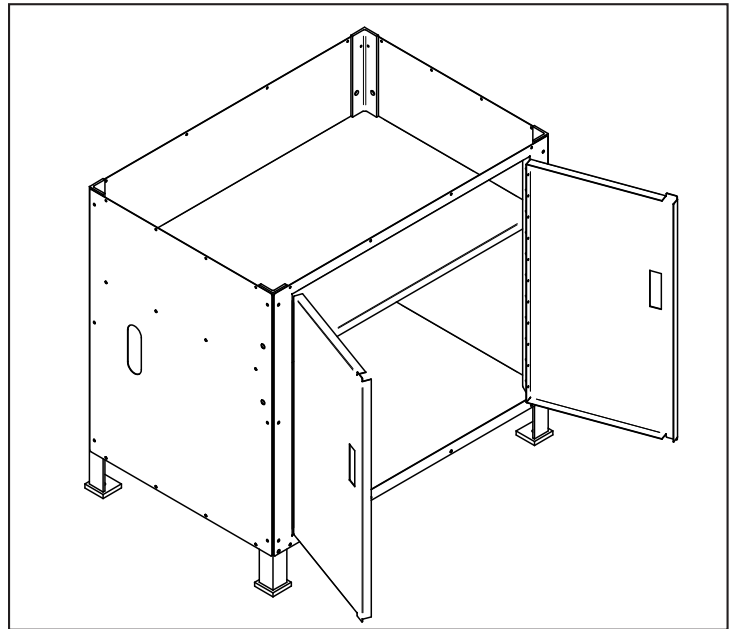


Figure 5

- Using 16 10-32 x 3/8" Phillips Screws, attach Top Panel to assembly (see **Figure 6**).

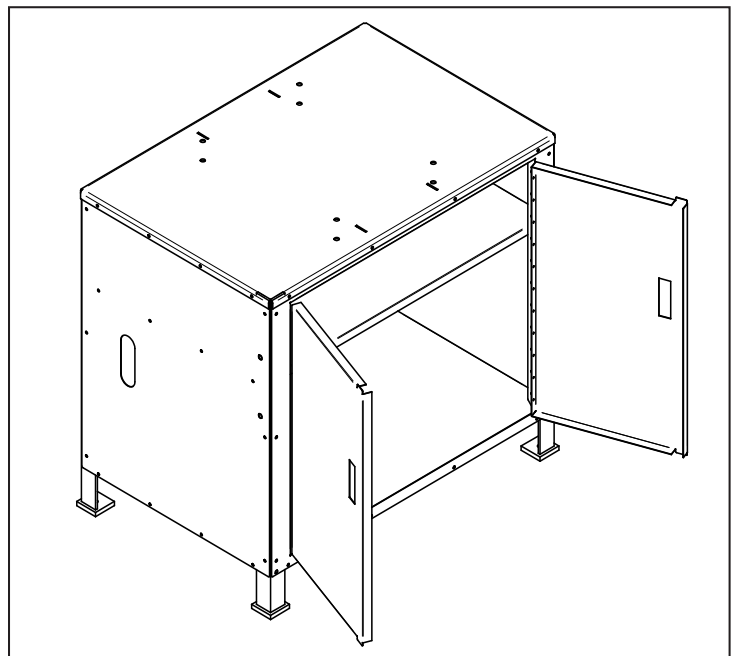


Figure 6

TECHNICAL DOCUMENT

7. Place four Mounting Blocks on stand and align each with pre-drilled holes in stand top (see **Figure 7**).
8. Place one Upper Support underneath stand top with support angles oriented as shown in **Figure 7**; align with pre-drilled holes in stand top.
9. Using two M12 x 20 mm Socket Head Cap Screws and two M12 Lock Washers, attach Upper Support from underside of stand top into two Mounting Blocks (see **Figure 7**).
10. Repeat Steps 8-9 for second Upper Support.

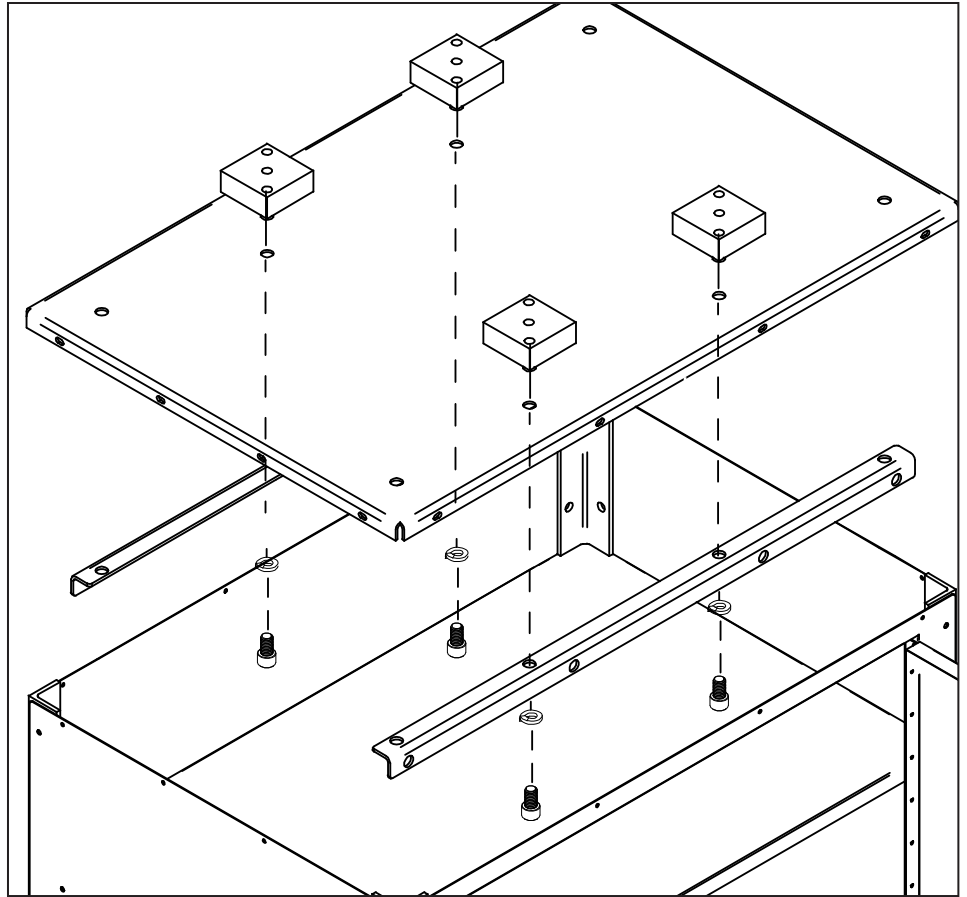


Figure 7

TECHNICAL DOCUMENT

- Using one M12 x 20 mm Socket Head Cap Screw and one M12 Lock Washer, secure Mounting Block to stand top; repeat for all four Mounting Blocks.

NOTE: Center hole in each Mounting Block is used for mounting mill to chip pan. For information on assembly, refer to PCNC 440 Operator Manual.

- Using one M12 x 20 mm Socket Head Cap Screw and one M12 Flat Washer, secure end of Upper Support to corner of stand top (see **Figure 8**); repeat for all four ends of Upper Support.
- Affix each M12 x 20 mm Socket Head Cap Screw and M12 Flat Washer assembly on Upper Support with one M12 Lock Washer and one M12 Nut as shown in **Figure 8**.

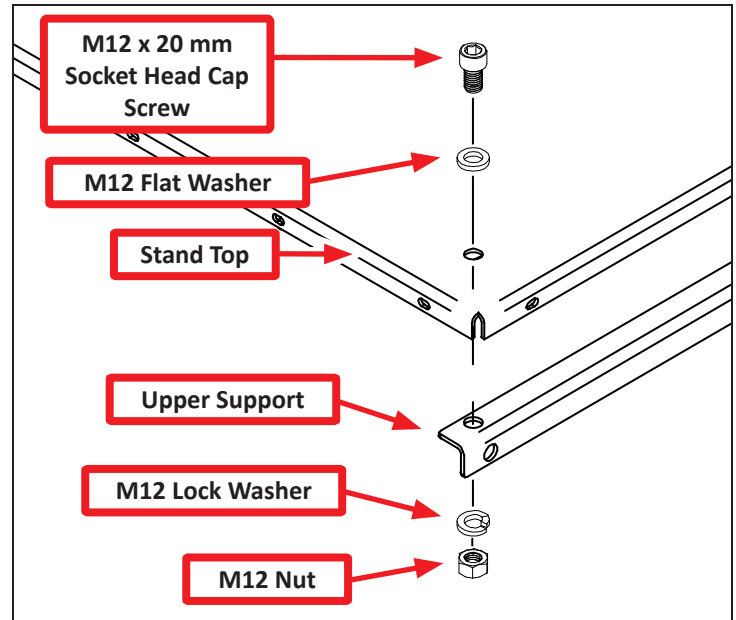


Figure 8

- Place one Lower Support at front of stand as shown in **Figure 9**; insert two 1/4-20 x 3/8" Phillips Screws through stand front, through Leg, and screw into Lower Support; repeat for back of stand.

NOTE: Some previously installed items not shown in **Figure 9**.

- Insert four 10-32 x 1/2" Phillips Screws through front of stand and screw into Lower Support; repeat for back of stand.

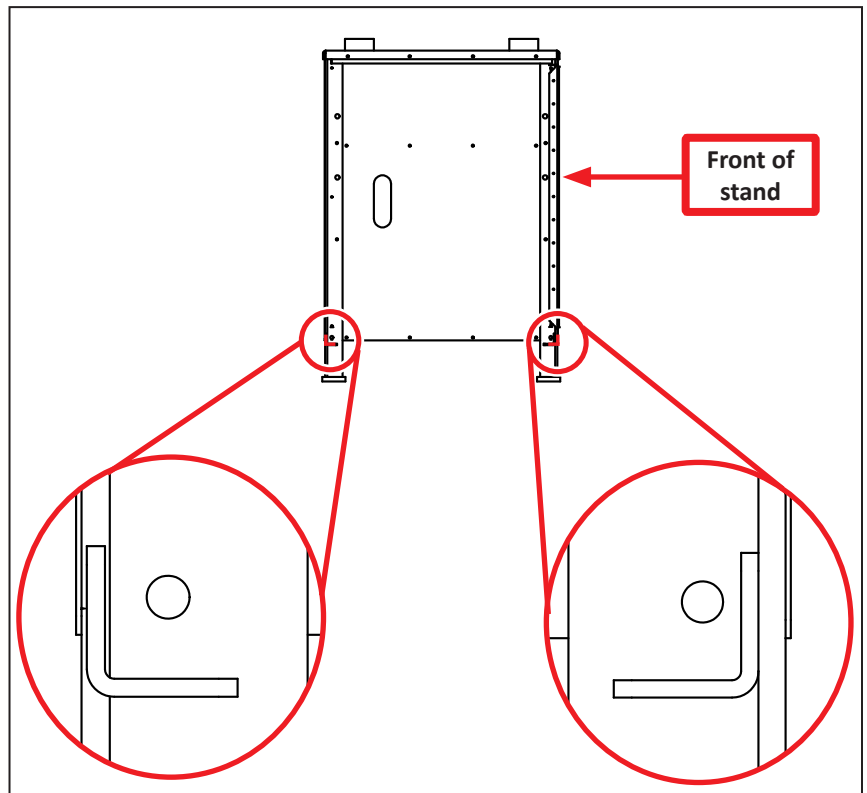


Figure 9

TECHNICAL DOCUMENT

16. Place cardboard (or similar) on floor to protect stand; lay stand on its back (see **Figure 9**).
17. Screw one M12 Nut onto each of the four Leveling Feet; screw Leveling Feet into four Legs as shown in **Figure 10**.

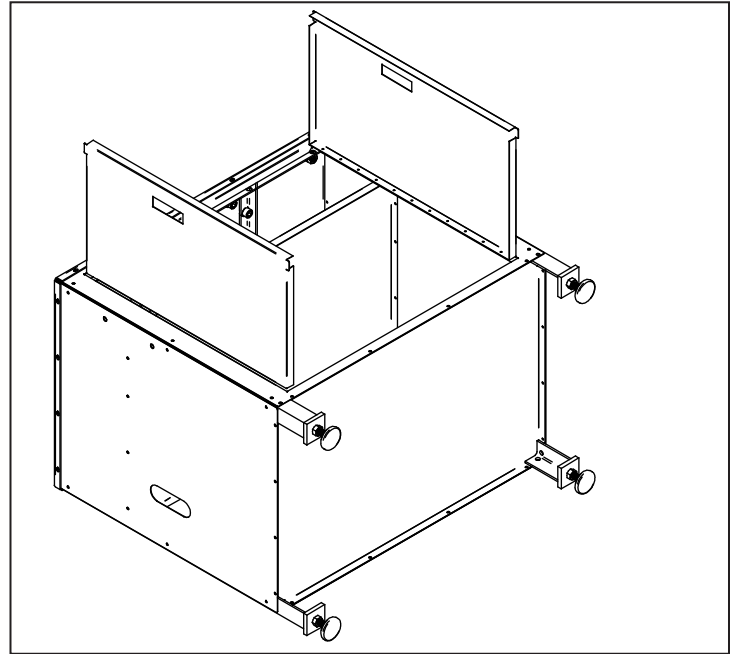


Figure 10

18. Return Stand to upright position; attach one Door Lock to each door (see **Figure 11**).
19. Adjust feet as needed to level stand.

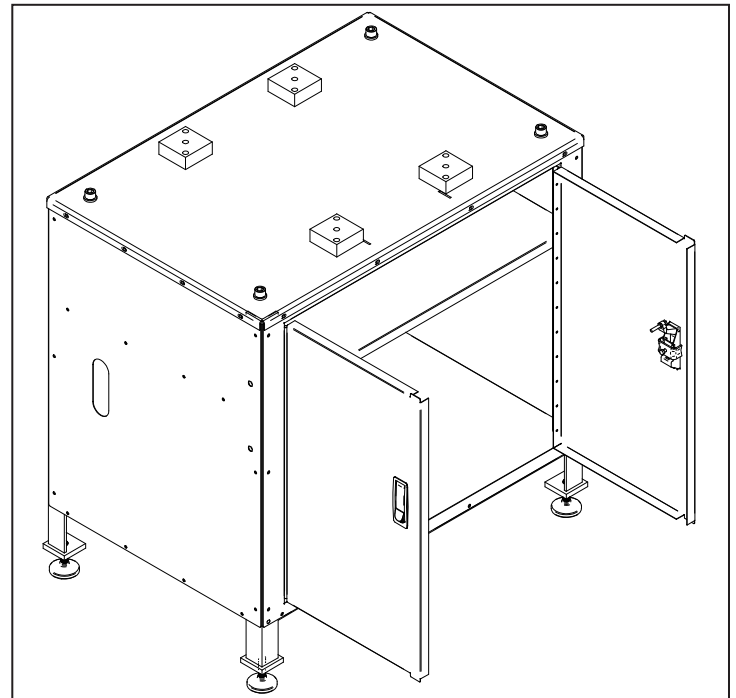


Figure 11