

## Rotary Table Dimension Drawings

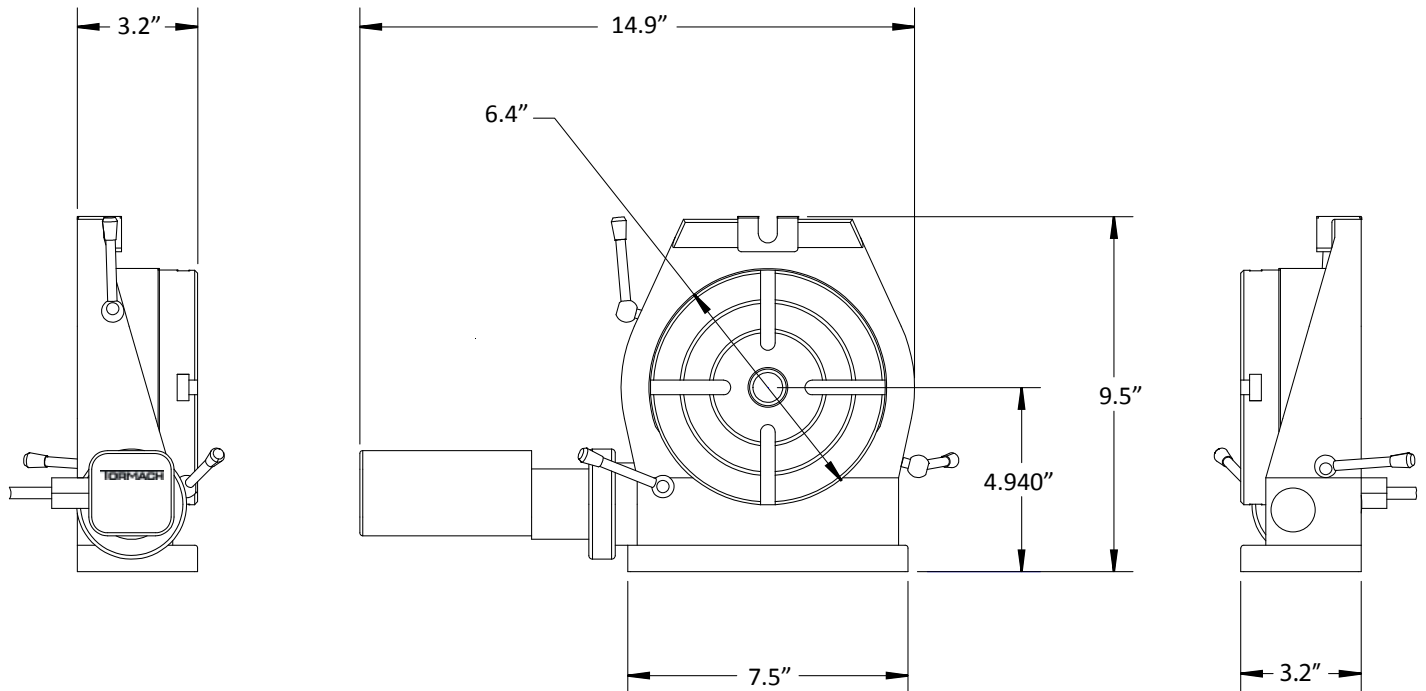
### Product Identification:

Model	With 4th Axis Kit	Without 4th Axis Kit (motorized table only)
6" Rotary Table	PN 30290	PN 30267
8" Rotary Table	PN 30289	PN 30194
6" Tilting Rotary Table	PN 31996	PN 31847
8" Tilting Rotary Table	PN 31997	PN 31848
6" Super Spacer Rotary Table	PN 34123	PN 33089
8" Super Spacer Rotary Table	PN 34122	PN 33264

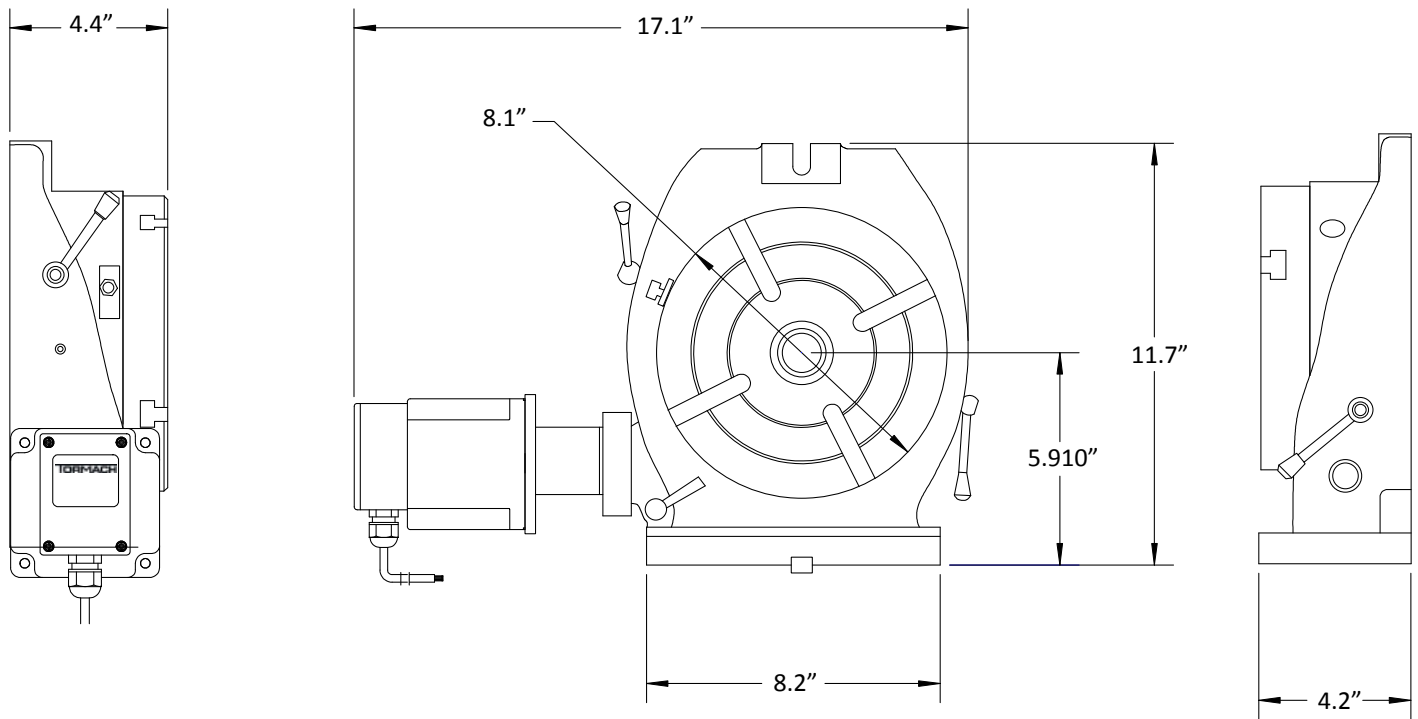
**Purpose:** This document details the dimensions of Tormach rotary tables.

### Dimensions

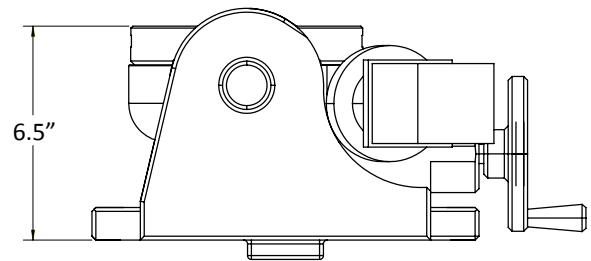
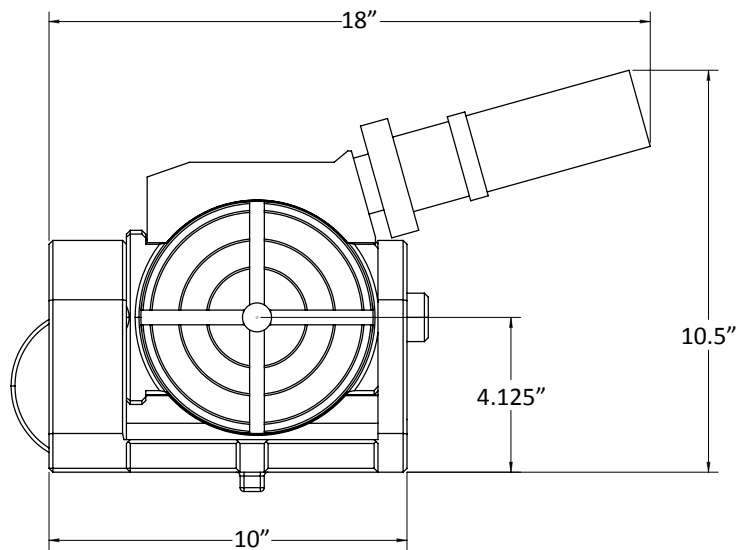
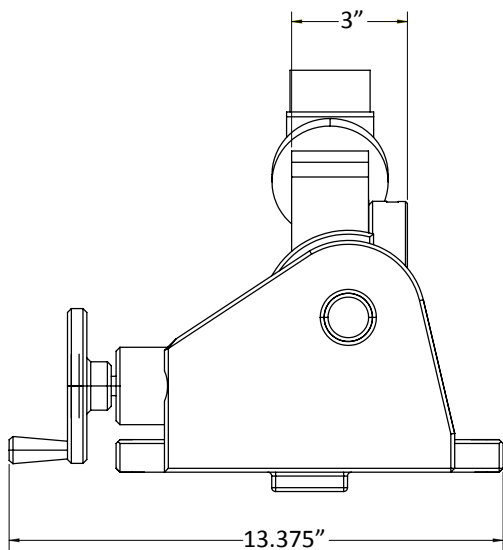
#### 6 inch Rotary Table



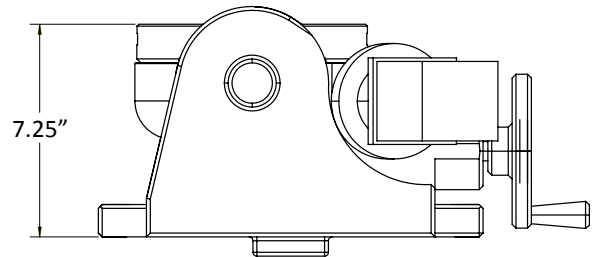
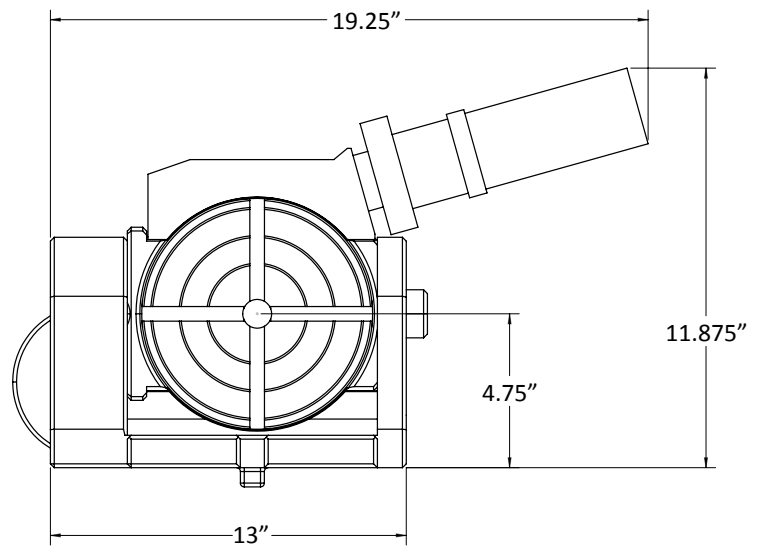
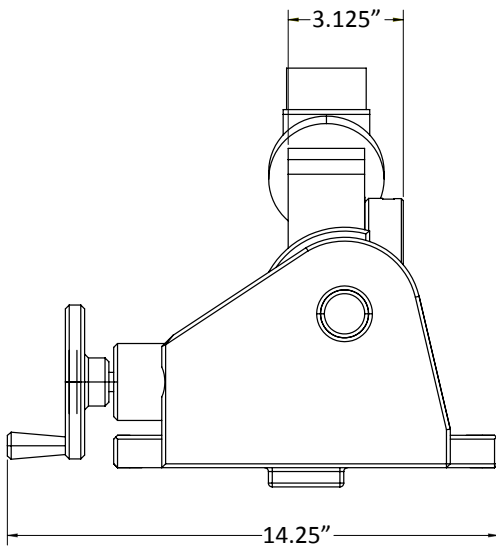
## 8 inch Rotary Table



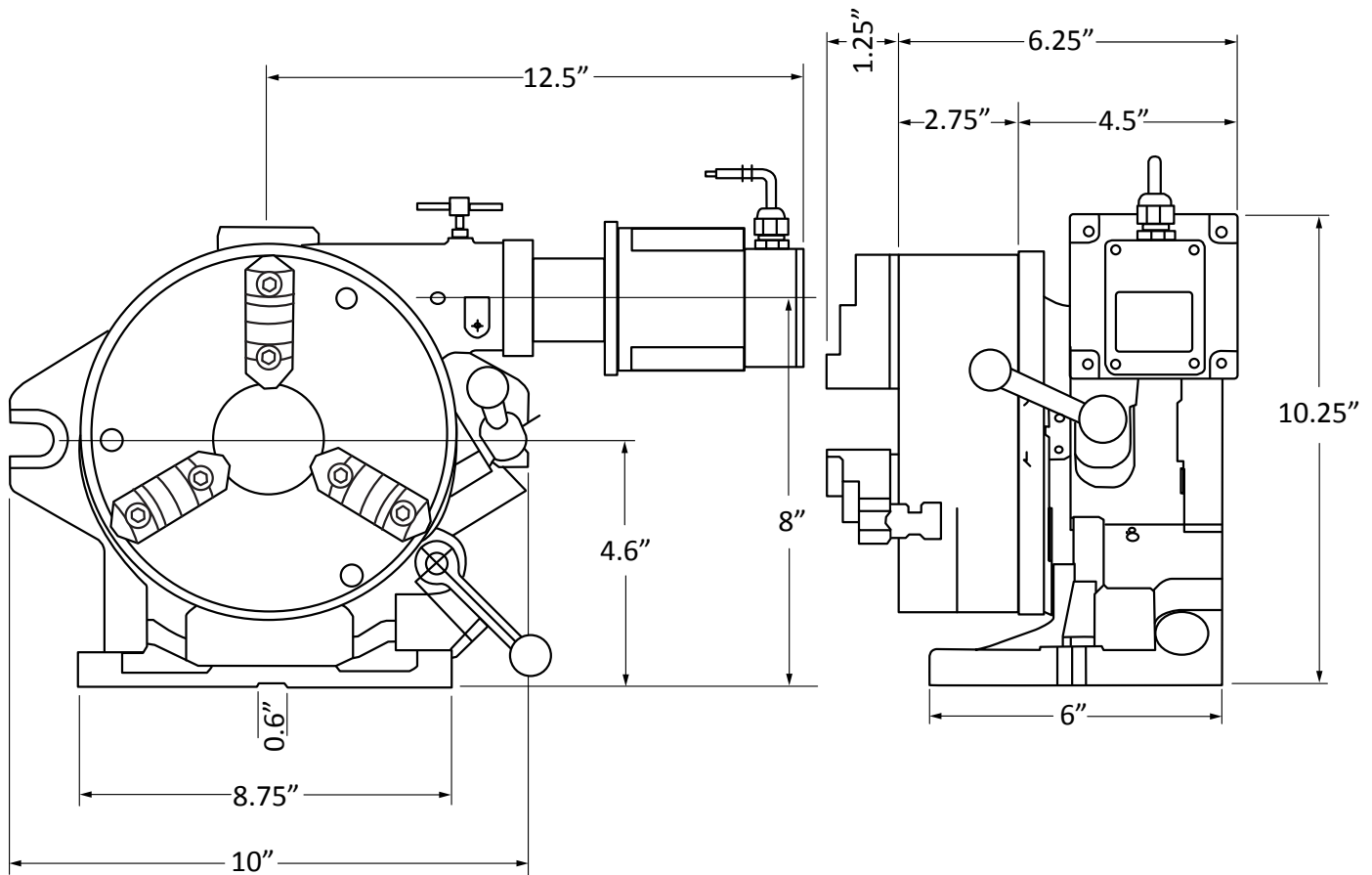
## 6 inch Tilting Rotary Table



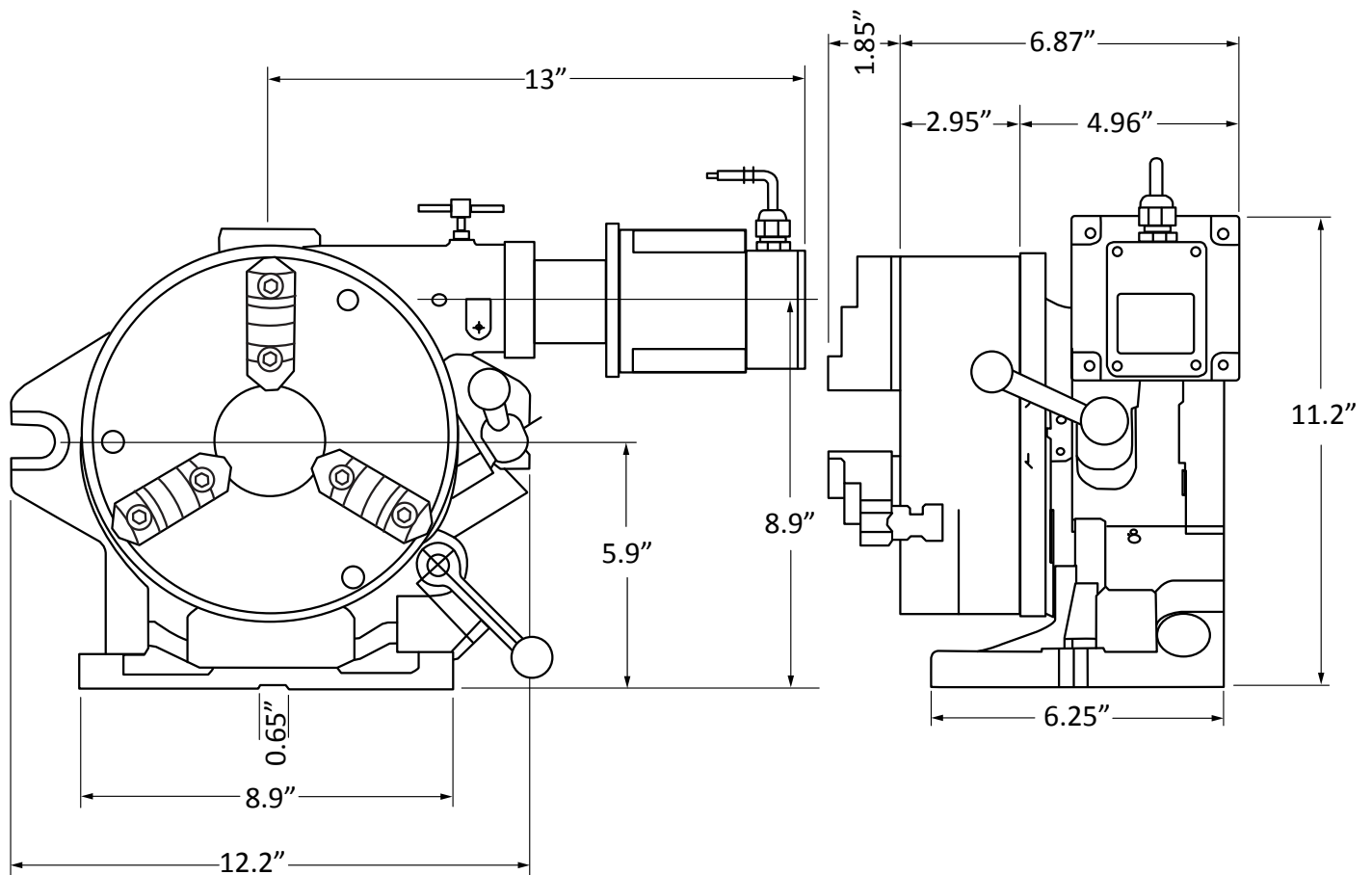
## 8 inch Tilting Rotary Table



## 6 inch Super Spacer Rotary Table



## 8 inch Super Spacer Rotary Table



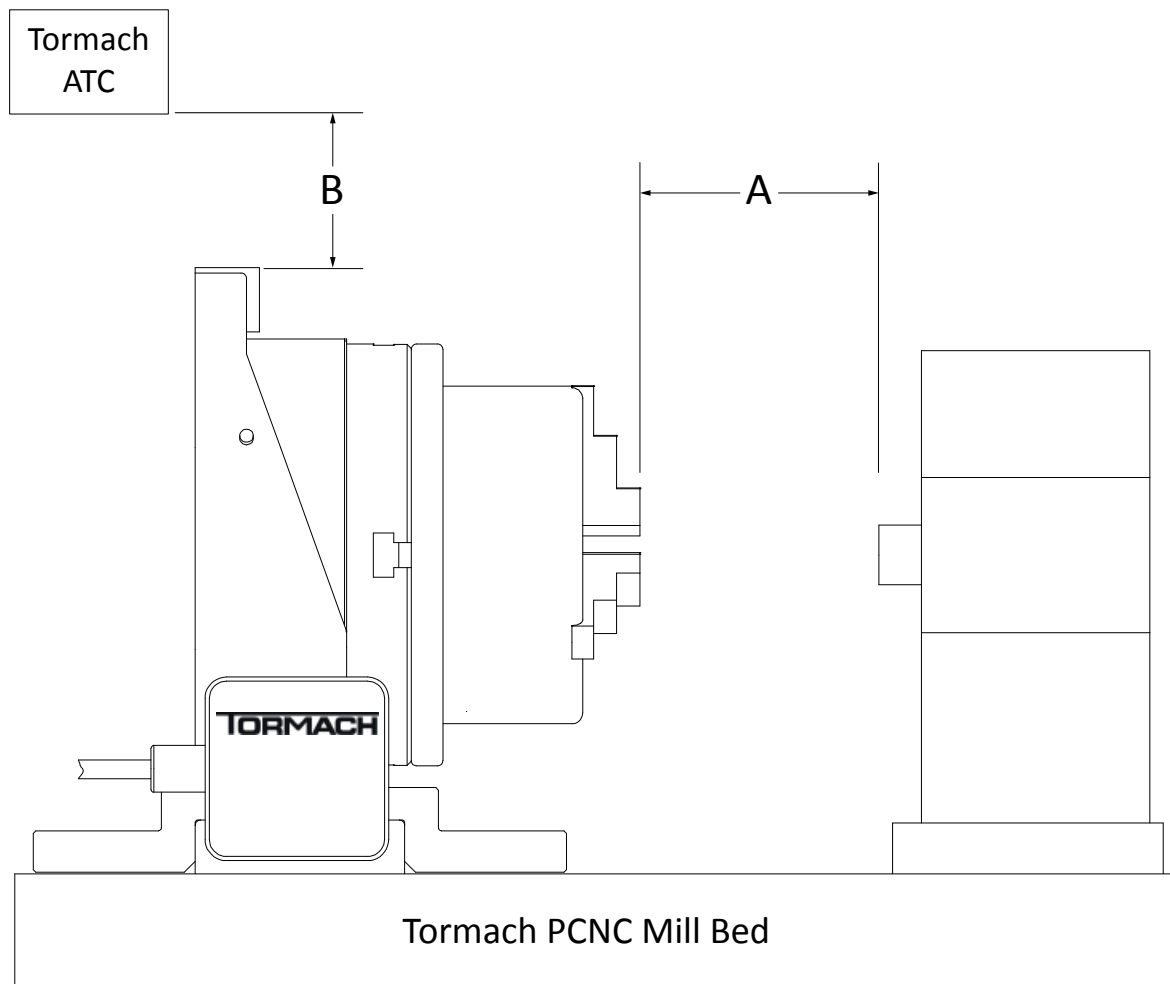


Enabling Your Ideas

# Technical Document

## Work Envelope

**NOTE:** Specific dimensions for 6 inch and 8 inch standard, tilting, and Super Spacer rotary tables are detailed later in this document. This image is for reference only.





Enabling Your Ideas

# Technical Document

## PCNC 1100

	A				B	
	2-Jaw Chuck (PN 32622) w/ tailstock	3-Jaw Chuck (PN 30291) w/ tailstock	4-Jaw Chuck (PN 30293) w/ tailstock	Without Chuck w/ tailstock	5C Adaptor/ Fixture	With ATC clearance in Z
<b>8" Rotary Table (tailstock: PN 30197)</b>	9.0"	10.0"	10.0"	13.5"	Adaptor (PN 30294): 9.8" Fixture (PN 31415): 10.4"	3.0"
<b>8" Tilting Rotary Table (tailstock: PN 30272)</b>	9.125"	9.375"	9.375"	13.625"	Adaptor (PN 30294): 4.4" Fixture (PN 31415): 5.0"	5.75" *
<b>8" Super Spacer (tailstock: PN 30197)</b>	N/A	9.0"	N/A	11.5"	N/A	4.25" *
<b>6" Rotary Table (tailstock: PN 30272)</b>	11.5"	13.25"	13.25"	16.0"	Fixture (PN 31414): 12.9"	5.0"
<b>6" Tilting Rotary Table (tailstock: PN 30272)</b>	9.0"	10.0"	10.0"	13.0"	Fixture (PN 31414): 9.5"	5.5" *
<b>6" Super Spacer (tailstock PN 30272)</b>	N/A	11.0"	N/A	13.5"	N/A	6.0" *

**\*NOTE:** Tilting and Super Spacer tables mount on the right side of the mill. For Tilting and Super Spacer tables, B represents clearance to the top of the tailstock.





Enabling Your Ideas

# Technical Document

## PCNC 770

	A				B	
	2-Jaw Chuck (PN 32627) w/ tailstock	3-Jaw Chuck (PN 30292) w/ tailstock	4-Jaw Chuck (PN 31721) w/ tailstock	Without chuck w/ tailstock	5C Fixture (PN 31414)	With ATC clearance In Z
<b>6" Rotary Table</b>	5.5"	7.0"	7.0"	10.0"	5.375"	2.0"
<b>6" Tilting Rotary Table (tailstock: PN 30272)</b>	2.5"	4.0"	4.0"	7.0"	2.75"	2.5" *
<b>6" Super Spacer (tailstock: PN 30272)</b>	N/A	6.0"	N/A	8.5"	N/A	3.0" *

**\*NOTE:** Tilting and super spacer tables mount on the right side of the mill. For tilting and super spacer tables, "B" represents the clearance to the top of the tailstock.